

CURRENT TRANSFORMERS WITH CENTRAL BUSH STANDARD SERIES



2P - 2M - 2G



1P - 2R - 3P

- Primary current from 40 to 600A
- Measurement and protection
- Compact size
- Central bush for easier connection

Moulded case current transformers for the measurement of AC currents from 40 to 600 A.

They are made of a non-flammable plastic material, and have heavy insulation. They are equipped with a central bush for mounting between 2 bars or 1 bar and 1 cable lug. These current transformers are suitable for all applications.

With their compact size, they are particularly suitable for withdrawable switchboard.

Technical data

Highest voltage for equipment	0.72 kV
Power-frequency withstand voltage	3 kV
Primary current I _{pn}	40 to 600 A
Secondary current I _{sn}	5 or 1 A
Frequency	50 or 60 Hz
Rated output	1 to 60 VA
Accuracy class	0.5 - 1 - 3
Security factor	5 to 30
Continuous thermal current	1.2 I _{pn}
Short-time thermal current I _{th}	Up to 26kA. 1s depending on models
Dynamic current I _{dyn}	2.5 I _{th}
Insulation class	E
Ambient temperature -25 °C to +40 °C	-25°C to + 40°C
Case	Thermoplastic UL94 HB or V0
Standards	IEC - IEEE - CSA - AS - BS

Other characteristics on request

Highest voltage for equipment	Up to 2400 V
Power-frequency withstand voltage	Up to 11 kV
Secondary current I _{sn}	0.005 to 10 A
Frequency	1 to 10000 Hz
Accuracy class	0.1 - 0.2 - 0.2S - 0.5S - 5P - 10P - cIX
Accuracy limit factor	5 - 10 - 15 - 20 - 30
Multi-ratio	On 2R - 3P models
Multiple cores	On 2R - 3P models
Ambient temperature	-40 °C to +70 °C

Accessories / Options

Mounting brackets	EA or EN types
Strengthened mounting brackets	MN type - Navy - on 3P model
Sealable terminal cover (IP20)	Only for 1P - 2R - 3P models
Tropicalization	

CURRENT TRANSFORMERS WITH CENTRAL BUSH - STANDARD SERIES

Selection table

Ip A	Type	Output maximum VA			Ip A	Type	Output maximum VA			
		cl 3	cl 1	cl 0.5			cl 3	cl 1	cl 0.5	
40	1P	1.25	-	-	150	2G	20	10	5	
	2G	2.5	-	-		2R	30	15	7.5	
	2R	2.5	-	-		3P	45	20	10	
	3P	5	-	-	200	2P	10	5	2.5	
50	1P	1.25	-	-		2M	15	10	7.5	
	2M	2.5	-	-		2G	20	20	10	
	2G	3.75	-	-		2R	30	20	15	
	2R	5	-	-	3P	60	30	20		
60	1P	1.25	-	-	250	2P	10	10	5	
	2M	3.75	-	-		2M	15	15	10	
	2G	5	-	-		2G	30	20	15	
	2R	7.5	2.5	-		2R	45	30	20	
75	3P	10	2.5	-	300	3P	60	45	30	
	1P	3.75	-	-		2P	10	10	7.5	
	2P	2.5	-	-		2M	15	15	10	
	2G	7.5	2.5	-		2G	30	30	20	
80	2R	10	3.75	-	400	2R	60	45	30	
	3P	15	3.75	-		3P	60	60	45	
	1P	5	2.5	-		500	2P	15	15	10
	2P	5	-	-			2M	20	20	15
2M	7.5	2.5	-	2G	30		30	30		
2G	10	5	1.25	2R	60		60	45		
100	2R	15	5	-	600	3P	60	60	60	
	3P	20	10	5		2P	15	15	10	
	1P	5	3.75	-		2M	20	20	15	
	2P	5	2.5	-		2G	45	45	30	
125	2M	10	5	-	2R	60	60	45		
	2G	15	7.5	3.75		3P	60	60	60	
	2R	20	10	3.75		2G	60	45	45	
	3P	30	10	5			2R	60	60	60
150	1P	5	5	-	3P		60	60	60	
	2P	5	2.5	1.25	2G		60	45	45	
	2M	10	7.5	3.75		2R	60	60	60	
2R	60	60	60	3P		60	60	60		

Dimensions

Type	A	B	C	D	E	F	G	H	I	J	K	L	M	N	P
	mm	mm	mm	mm	mm	mm	mm	mm	mm	mm	mm	mm	mm	mm	mm
1P	58	27	45	25	48	16	15	8.5	4.2	M 5	36	23	84	-	4
2P	66	26	43	23	55	25	22	12.5	4.2	M 5	36	24	80	39	3.5
2M	66	31	42,5	29	55	23,5	22	12.5	4.2	M 5	36	23,5	80	45	3.5
2G	66	52	43	47	55	25	22	12.5	4.2	M 5	36	23	80	64	3.5
2R	85	54	59	52	70	25	25	12.5	4.2	M 5	62	40	111	-	4.5
3P	104	60	68	56	86	35	25	12.5	6.3	M 5	66	42	130	-	5

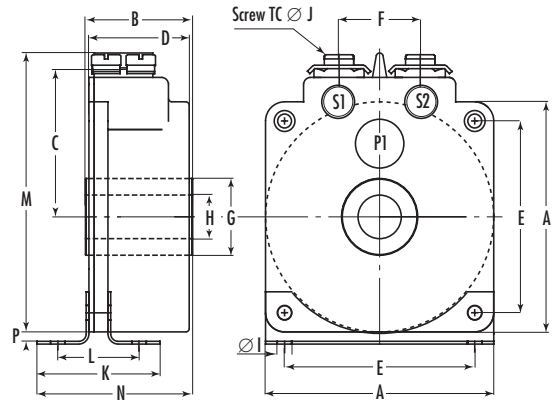
* Dimensions B, D, K, L, N can vary according to electrical performance (spacer)

Installation

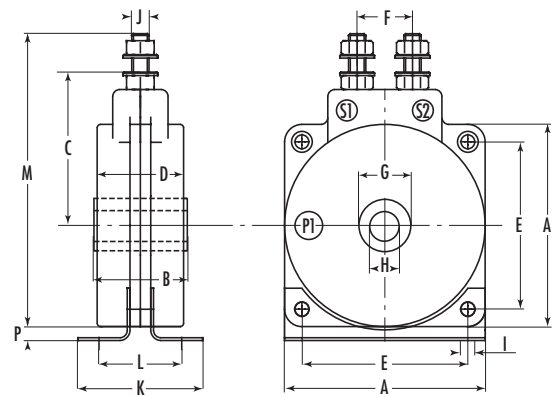
- Tightening torque for secondary terminals M5 = 2.5 N.m
- The primary conductor consists of a central bush, to be tightened between 2 bars or 1 bar and 1 cable lug, or 2 cable lugs, with a steel bolt as shown on the diagram opposite. Tighten to the specified torque figures.

Type	B	D	L	Maximum tightening torque
1P	27	M8	40 + 2X	25 N.m
2P	26	M12	45 + 2X	50 N.m
2M	31	M12	50 + 2X	50 N.m
2G	52	M12	70 + 2X	50 N.m
2R	54	M12	75 + 2X	50 N.m
3P	60	M12	80 + 2X	50 N.m

2P - 2M - 2G with EA type brackets



1P - 2R - 3P with EA type brackets



3P with MN type bracket

