

# BAR PRIMARY CURRENT TRANSFORMERS

## J..R.. SERIES



J4R4-1  
J4R4-2

- Primary current from 400 to 4000 A
- For busbar up to 3 bars 100 x 10 mm
- Measurement
- Compact size

Current transformers moulded in self extinguishing casings for the measurement of AC currents from 400 up to 4000A.

This compact range fits busbars from 30 to 100 mm.

### Technical data

Highest voltage for equipment	0.72 kV
Power-frequency withstand voltage	3 kV
Primary current I <sub>pn</sub>	400 to 4000 A
Secondary current I <sub>sn</sub>	5 or 1 A
Frequency	50 or 60 Hz
Rated output	1 to 60 VA
Accuracy class	0.5 – 1 – 3
Security factor	5 to 30
Continuous thermal current	1.2 I <sub>pn</sub>
Short-time thermal current I <sub>th</sub>	60 I <sub>pn</sub> .1s
Dynamic current I <sub>dyn</sub>	2.5 I <sub>th</sub>
Insulation class	E
Casing	Thermoplastic UL94 V0 or V1
Ambient temperature	- 5°C to + 40°C
Standards	IEC - IEEE - CSA - AS - BS - UNE

### Other characteristics on request

Highest voltage for equipment	Up to 2.4 kV
Power-frequency withstand voltage	Up to 11 kV
Secondary current I <sub>sn</sub>	0.005 to 10 A
Frequency	1 to 10 000 Hz
Continuous thermal current	1.5 I <sub>pn</sub> - 2 I <sub>pn</sub>
Ambient temperature	- 25°C to + 70°C

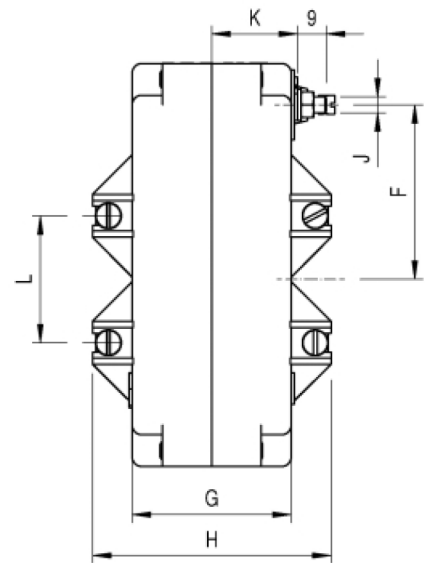
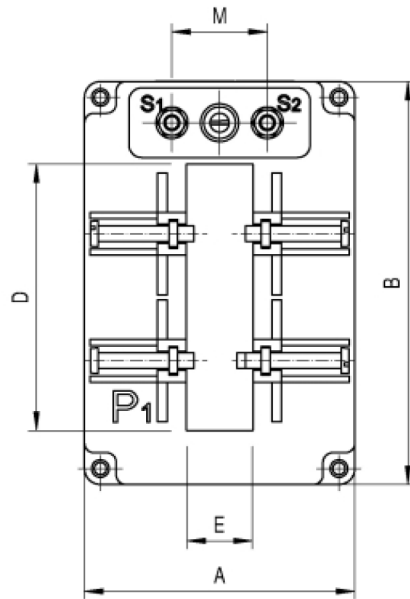
### Accessories / Options

Mounting brackets	EN type, DIN rail
Sealable cover for secondary terminal (IP31)	Option
S1 S2 on P1 or P2 side	J4R4-2

## BAR PRIMARY CURRENT TRANSFORMERS - J..R.. SERIES

### Selection table

Ip A	Type	Rated output Max en VA		
		cl 3	cl 1	cl 0.5
400	J4R4-1	20	15	10
500	J4R4-1	30	20	15
	J4R4-2	45	20	10
600	J4R4-1	60	40	15
	J4R4-2	45	30	15
750	J4R4-1	60	40	15
	J4R4-2	60	45	30
1000	J4R4-1	60	40	20
	J4R4-2	60	45	30
1250	J4R4-1	60	40	20
	J4R4-2	60	45	30
1500	J4R4-1	60	40	20
	J4R4-2	60	45	30
2000	J4R4-1	60	40	20
	J4R4-2	60	45	30
2500	J4R4-2	60	45	30
3000	J4R4-2	60	45	30
4000	J4R4-2	60	45	30



### Dimensions

Type	A	B	D	E	F	G	H	J	K	L	M	Busbar
	mm	mm	mm	mm	mm	mm	mm	mm	mm	mm	mm	
J4R4-1	85	127	84	21	55	50	77	M5	27	40	30	1 to 3 bars 80x5
J4R4-2	97	164	103	38	75	40	59	M5	28	60	30	1 to 3 bars 100x10

### Installation

Maximum tightening torque:  
 -Bar fastening screws: 0.7Nm  
 -M5 secondary terminals: 2.5 Nm