

TAPE WOUND CURRENT TRANSFORMERS ASSEMBLIES

CEB - J20FB1 SERIES



CEB



J20FB1

- Indoor air or oil immersed
- Primary current from 50 to 50000 A
- Inner diameter up to 700 mm
- Measurement and protection

Used for the measure of AC currents from 50 to 50,000A Air mounted (impregnated) or oil immersed in power transformers. Individual mounting as several independent transformers (J20FB1), or as a plug & play assembly (CEB).

Each transformer is individually tested (J20FB1), then as a whole in the assembly work (CEB). Flexible solution that can be customized to any customer's configuration.

Technical data

Highest voltage for equipment	0.72 kV
Power-frequency withstand voltage	3 kV
Primary current I _{pn}	50 to 50,000 A
Secondary current I _{sn}	5 or 1 A
Frequency	50 or 60 Hz
Rated output	1 to 300 VA
Accuracy class	0.2 - 0.5 - 1 - 3
Security factor	5 to 30
Continuous thermal current	1.2 I _{pn}
Short-time thermal current I _{th}	80 I _{pn} .1s
Dynamic current I _{dyn}	2.5 I _{th}
Insulation class	E
Ambient temperature	- 5°C to + 40°C
Oil temperature	+ 120°C
Standards	IEC - IEEE - CSA - AS - BS
Dimensions	According to customer requirements (max outer: Ø 1 m.)

Other characteristics on request

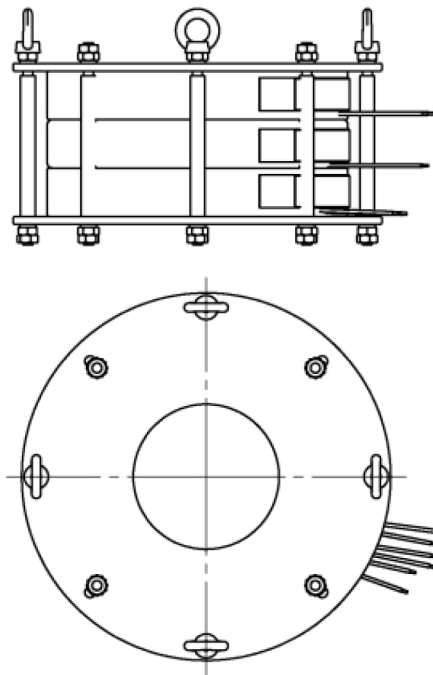
Highest voltage for equipment	Up to 2.400 V
Power-frequency withstand voltage	Up to 11 kV
Secondary current I _{sn}	0.005 to 10 A
Frequency	1 to 10,000 Hz
Accuracy class	0.1 - 0.2 - 0.2S - 0.5 - 0.5S - 1 - 3 - 5P 10P - CLPX
Accuracy limit factor	5 - 10 - 15 - 20 - 30
Multi-ratio	
Multiple cores	
Ambient temperature	- 25°C/+ 70°C

Accessories / Options

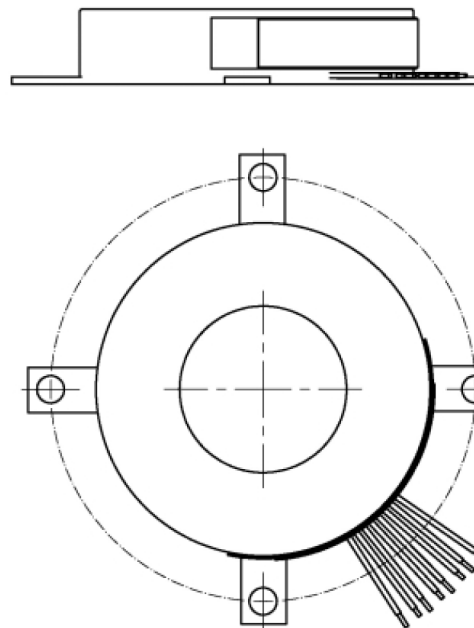
Secondary cables	According to client request
------------------	-----------------------------

WRAPPED CURRENT TRANSFORMERS ASSEMBLIES CEB - J20FB1 SERIES

CEB



J20FB1



Installation

- Installing these CT's may require implementing special supporting fixings on existing structures.
- Warning ! Never leave open the secondary circuit of a current transformer when fed on primary. High voltage may surge at the secondary circuit terminals and might be dangerous for people, and lead to the destruction of the current transformer.

Dimensions according to customer requirements :

- { Min inner dia = 30 mm
- { Max inner dia = 700 mm
- { Min outer dia = 100 mm
- { Max outer dia = 1000 mm
- { Max height JFL = 200 mm
- { Max height CEB = 500 mm