

SINGLE PHASE VOLTAGE TRANSFORMERS - TP SERIES



- **Indoor**
- **Primary voltage up to 1200V**
- **Measurement and protection**
- **Robust design, with unbreakable bushing insulators**

Voltage transformers for the measurement of AC voltages up to 1200 V for industrial and marine applications.

Technical data

Highest voltage for equipment	0.72 kV
Power-frequency withstand voltage	3 kV (1kV for W serie)
Primary voltage U _{pn}	10 to 690 V
Secondary voltage U _{sn}	100: $\sqrt{3}$ - 110: $\sqrt{3}$ - 100 - 110 V
Frequency	50 or 60 Hz
Rated output	5 VA to 25 kVA
Accuracy class	0.5 - 1 - 3 - Cl A
Thermal power	Up to 25 kVA
Insulation class	E
Terminal protection	IP00
Ambient temperature	-25 °C to +40 °C
Normes	IEC - IEEE - CSA - AS - BS

Other characteristics on request

Highest voltage for equipment	Up to 1200 V
Power-frequency withstand voltage	Up to 11 kV
Primary voltage U _{pn}	5 to 1200 V
Secondary voltage U _{sn}	5 to 1200 V
Frequency	5 to 10000 Hz
Accuracy class	0.1 - 0.2 - 3P - 6P
Ambient temperature	-40 °C to +65 °C
Primary or secondary taps	
Separate secondary windings	

Accessories / Options

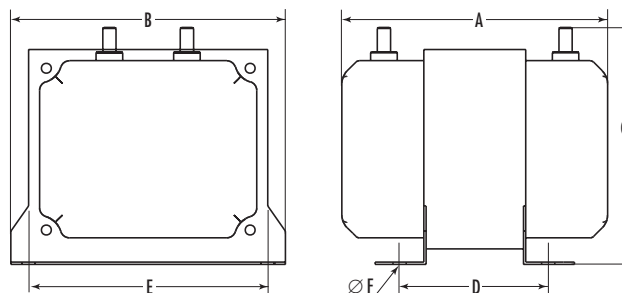
Sealable terminal cover (IP20)	
Primary/Secondary shield	
Tropicalization	
With flying leads on primary and secondary side	
Primary or secondary protection	TP 150-W series
Primary switch	TP 150-W series

SINGLE PHASE VOLTAGE TRANSFORMERS - TP SERIES

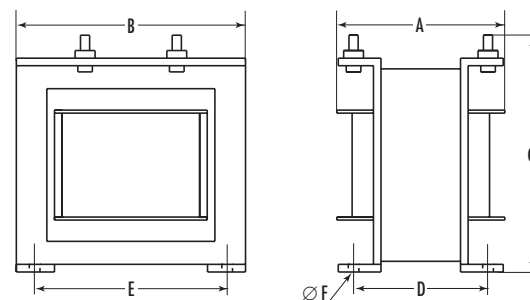
Selection table

Type	Burden <i>maximum en VA</i>				Thermal output <i>maximum in VA</i>
	cl 3	cl 1	cl 0.5	cl 0.2	cl A
TP84-1	15	-	-	-	50
TP84-2	30	5	-	-	60
TP108-1	75	30	20	-	100
TP108-2	150	50	30	-	150
TP126-1	250	80	50	5	250
TP126-2	300	100	60	5	300
TP150-1	400	120	70	10	400
TP150-2	600	240	150	15	600
TP150-3	700	300	200	40	700
TP180-1	900	350	200	40	1000
TP180-2	1200	500	250	40	1250
TP180-3	1500	600	300	60	1600
TP150-W1	-	-	-	-	1700
TP150-W2	-	-	-	-	2000
TP150-W3	-	-	-	-	2500
TP232-1	2900	1200	600	100	3000
TP232-2	3900	1600	800	100	4000
TP232-3	4800	2000	1000	100	5000
TP150-W4	-	-	-	-	5000
TP150-W5	-	-	-	-	6000
TP150-W6	-	-	-	-	7500
TP150-W7	-	-	-	-	10000
TP150-W8	-	-	-	-	12500
TP150-W9	-	-	-	-	15000
TP150-W10	-	-	-	-	20000
TP150-W11	-	-	-	-	25000

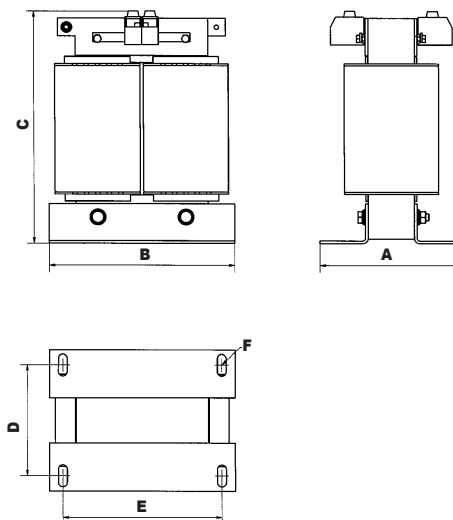
TP84 ... TP180



TP232



TP150-W1 - TP150-W2 - TP150-W3



SINGLE PHASE VOLTAGE TRANSFORMERS - TP SERIES

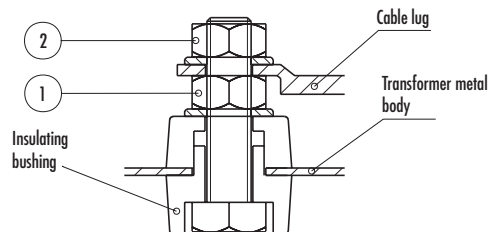
Dimensions

Type	Weight kg	A mm	B mm	C mm	D mm	E mm	F mm
TP84-1	2.3	115	99	90	54	84	5.5
TP84-2	2.4	130	99	90	67	84	5.5
TP108-1	3.6	124	124	113	70	108	6
TP108-2	4.5	137	124	107	82	108	6
TP126-1	6.2	150	142	124	82	126	6
TP126-2	7.2	160	142	124	93	126	6
TP150-1	8	156	167	138	84	150	7
TP150-2	11	185	167	138	116	150	7
TP150-3	14	200	167	138	127	150	7
TP180-1	24	190	180	170	120	166	6
TP180-2	27	210	180	170	140	166	6
TP180-3	29	250	180	170	180	166	6
TP150-W1	20	162	210	265	127	180	10
TP150-W2	20	175	210	265	140	180	10
TP150-W3	20	202	210	265	167	180	10
TP232-1	30	220	255	275	136	200	12
TP232-2	45	230	255	275	172	200	12
TP232-3	60	250	255	275	236	200	12
TP150-W4	45	190	280	310	155	210	10
TP150-W5	50	205	280	310	170	210	10
TP150-W6	53	200	320	360	165	250	10
TP150-W7	68	215	320	360	180	250	10
TP150-W8	83	230	320	360	192	250	10
TP150-W9	98	185	375	410	120	300	12
TP150-W10	133	265	375	410	140	300	12
TP150-W11	167	240	430	510	150	370	12

Installation

When tightening connections, it is essential to block nut 1 when nut 2 is tightened to avoid breaking the winding wire underneath.

Max tightening torque for secondary terminal M6: 6 N.m



Cette page a été intentionnellement laissée vierge

This page intentionally left blank

Esta página fue dejada en blanco intencionalmente