

RING TYPE CURRENT TRANSFORMERS - ORX SERIES



- **Indoor or outdoor**
- **Inner Ø from 53 up to 250 mm**
- **Up to 4 secondary cores**
- **Any protection class**
- **Modularity, wide range**

These ring type current transformers are available for indoor or outdoor use. They have been designed to meet the requirements for measuring:

- line currents
- zero-sequence currents in the neutral of power transformers
- earth fault currents in power transformers.

The secondary terminals are accessible, either directly in the case of indoor equipment (ORX), or through a watertight terminal box (OREX) or a watertight plastic cover (OREX - - - W) in the case of outdoor application.

Several types of terminal boxes are available depending on the required characteristics.

Technical data

Highest voltage for equipment	0.72 kV
Power-frequency withstand voltage	3 kV
Rated primary current I _{pn}	50 to 4000 A
Rated secondary current I _{sn}	5 or 1 A
Rated frequency	50 Hz or 60 Hz
Network nominal voltage	0.75 - 20 - 72.5 - 100 - 245 - ... - 1000kV
Rated output	Up to 500 VA
Accuracy class	0.2 - 0.2S - 0.5 - 0.5S - 1 - 5P - 10P
Accuracy limit factor	5 - 10 - 15 - 20 - 30
Continuous thermal current	1.2 I _{pn}
Short-time thermal current	80 I _{pn}
Dynamic current I _{dyn}	2.5 I _{th}
Inner diameter	53 to 250 mm
Ambient temperature	-25°C to + 40°C
Insulation material	Cast resin
Insulation class	E
Base plate or fixing brackets	U-shape brackets - galvanized steel
Standards	IEC - IEEE - CSA - AS - BS

Other characteristics on request

Highest voltage for equipment	2 kV
Power-frequency withstand voltage	6 kV
Multi-ratio	by secondary tapping
Accuracy class	PX, PXR, PR, TPS, TPX, TPY, TPZ
Ambient temperature	- 40°C to + 70°C

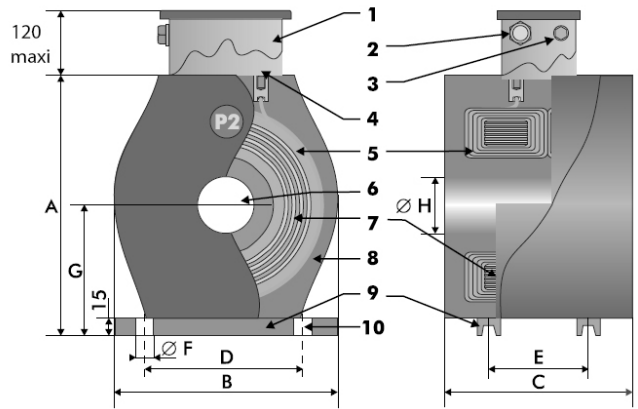
Accessories / Options

Watertight terminal box with cable gland (IP43)	as standard on outdoor OREX series optional on indoor ORX
Watertight plastic cover (IP54)	as standard on outdoor OREX...W optional on indoor ORX
Directive ATEX	As a component of an ATEX system
Fixing brackets	Stainless steel on request
Earth terminal	upon request
Voltage limiter	upon request
Filtering capacitor	upon request

CURRENT TRANSFORMERS - ORX SERIES

Dimensions

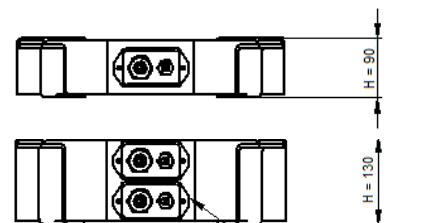
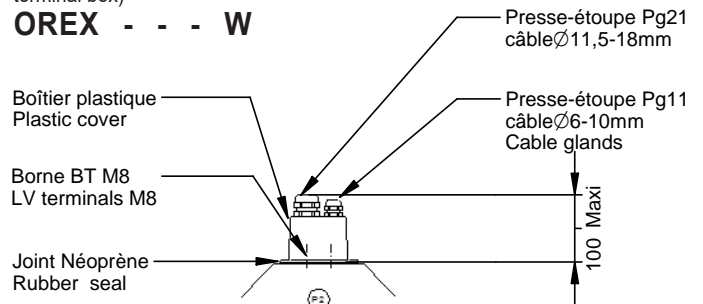
ORX	Weight kg	ØH mm	A mm	B mm	C mm	D mm	E mm	F mm	G mm	I mm
53-80-155	4	53	190	155	80	210	35	9	95	15
53-95-155	5	53	190	155	95	210	60	9	95	15
53-95-215	15	53	250	215	95	210	60	9	125	15
53-150-215	25	53	250	215	150	210	90	9	125	15
53-95-320	40	53	355	320	95	210	60	9	190	15
75-75-240	15	75	280	240	75	210	35	9	140	15
75-115-240	20	75	280	240	115	210	60	9	140	15
75-150-240	30	75	280	240	150	210	90	9	140	15
75-190-240	40	75	280	240	190	210	90	9	140	15
75-265-240	55	75	280	240	265	210	170	9	140	15
100-115-200	10	100	240	200	115	210	60	9	125	15
100-115-370	55	100	410	370	115	250	80	12	210	15
100-200-370	105	100	410	370	200	250	110	12	210	15
100-220-370	110	100	410	370	220	250	120	12	210	15
120-110-290	30	120	320	290	110	210	60	9	165	15
120-175-290	45	120	320	290	175	210	90	9	165	15
120-115-320	40	120	355	320	115	250	80	12	190	15
120-200-320	70	120	355	320	200	250	110	12	190	15
140-80-320	30	140	355	320	80	210	35	9	190	15
140-115-320	35	140	355	320	115	250	80	12	190	15
140-180-320	55	140	355	320	180	250	110	12	190	15
140-200-320	65	140	355	320	200	250	110	12	190	15
175-80-380	35	175	435	380	80	250	55	14	225	20
175-105-380	45	175	435	380	105	250	55	14	225	20
175-130-380	60	175	435	380	130	250	80	14	225	20
175-180-380	85	175	435	380	180	250	110	14	225	20
175-230-380	110	175	435	380	230	250	150	14	225	20
175-260-380	130	175	435	380	260	250	180	14	225	20
175-80-450	50	175	505	450	80	250	55	14	265	20
175-105-450	70	175	505	450	105	250	55	14	265	20
175-130-450	90	175	505	450	130	250	80	14	265	20
175-180-450	135	175	505	450	180	250	110	14	265	20
175-230-450	175	175	505	450	230	250	150	14	265	20
175-260-450	200	175	505	450	260	250	180	14	265	20
175-80-480	60	175	550	480	80	250	55	14	285	20
175-105-480	80	175	550	480	105	250	55	14	285	20
175-130-480	105	175	550	480	130	250	80	14	285	20
175-180-480	155	175	550	480	180	250	110	14	285	20
175-230-480	205	175	550	480	230	250	150	14	285	20
175-260-480	235	175	550	480	260	250	180	14	285	20
210-80-380	30	210	435	380	80	250	55	14	225	20
210-105-380	40	210	435	380	105	250	55	14	225	20
210-130-380	55	210	435	380	130	250	80	14	225	20
210-180-380	75	210	435	380	180	250	110	14	225	20
210-230-380	100	210	435	380	230	250	150	14	225	20
210-260-380	115	210	435	380	260	250	180	14	225	20
210-80-450	45	210	505	450	80	250	55	14	265	20
210-105-450	65	210	505	450	105	250	55	14	265	20
210-130-450	85	210	505	450	130	250	80	14	265	20
210-180-450	120	210	505	450	180	250	110	14	265	20
210-230-450	160	210	505	450	230	250	150	14	265	20
210-260-450	180	210	505	450	260	250	180	14	265	20
210-80-480	55	210	550	480	80	250	55	14	285	20
210-105-480	75	210	550	480	105	250	55	14	285	20
210-130-480	100	210	550	480	130	250	80	14	285	20
210-180-480	140	210	550	480	180	250	110	14	285	20
210-230-480	190	210	550	480	230	250	150	14	285	20
210-260-480	215	210	550	480	260	250	180	14	285	20
250-80-450	40	250	505	450	80	250	55	14	265	20
250-105-450	55	250	505	450	105	250	55	14	265	20
250-130-450	70	250	505	450	130	250	80	14	265	20
250-180-450	100	250	505	450	180	250	110	14	265	20
250-230-450	135	250	505	450	230	250	150	14	265	20
250-260-450	155	250	505	450	260	250	180	14	265	20
250-80-480	45	250	550	480	80	250	55	14	285	20
250-105-480	65	250	550	480	105	250	55	14	285	20
250-130-480	85	250	550	480	130	250	80	14	285	20
250-180-480	125	250	550	480	180	250	110	14	285	20
250-230-480	165	250	550	480	230	250	150	14	285	20
250-260-480	190	250	550	480	260	250	180	14	285	20



1. Secondary terminal box (OREX only)
2. Cable gland for cable Ø12.5 to 19mm
3. Earth terminal
4. Secondary terminals (M8)
5. Secondary winding
6. Window
7. Magnetic circuit
8. Resin insulation
9. Base plate
10. 4 fixing holes (Ø F)

Option «Watertight plastic cover» (mounted instead of the watertight terminal box)

OREX - - - W



2 boîtiers plastique
si 2 secondaires
2 plastic covers
if 2 secondaries

Detailed drawings available on request:

- terminal box
- overall dimensions
- name plate
- wiring diagram

Installation

- These current transformers are designed to fit over :
 - LV bare conductors
 - LV, HV, EHV insulated cables
- Cantilever installation of current transformers may require additional fixing supports on the existing equipment.
- Tightening torque for secondary terminals M8 : 7 Nm.

• **Caution !** Never leave the secondary circuit open while the primary conductor is energized. High voltages might surge at secondary terminals, which might be hazardous for people and destroy the current transformer.