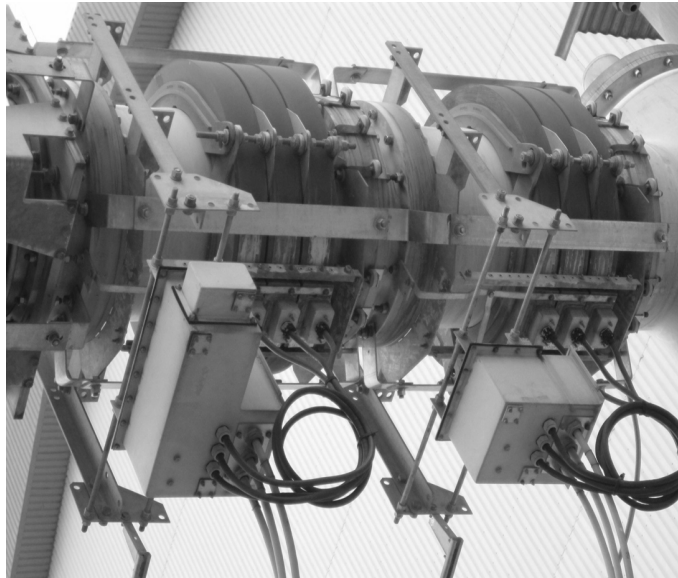


CURRENT TRANSFORMER - ORB SERIES



- **Indoor or outdoor**
- **Inner diameter from 240 up to 690 mm**
- **Up to 4 cores**
- **Any protection class**

These ring type current transformers are available for indoor (ORB) or outdoor use (ORBE). They have been designed to meet the requirements for metering and protection duties of :

- power transformers and auto-transformers
- HV or MV wall bushings
- GIS substation
- IPB
- Homopolar detection in neutral connections

The secondary terminals are accessible either directly in the case of indoor equipment (ORB) or through a watertight terminal box or cover in the case of outdoor application (ORBE - ORBE - - W).

As per customer's requirement, secondary windings can integrate time constant constraints.

Technical data

Highest voltage for equipment	0.72 kV
Power-frequency withstand voltage	3 kV
Rated primary current I _{pn}	50 to 10 000 A
Rated secondary current I _{sn}	5 or 1 A
Rated frequency	50 Hz or 60 Hz
Network nominal voltage	0.75 - 20 - 72.5 - 100 - 245 -... to 1000kV
Rated output	Up to 500 VA
Accuracy class	0.2 - 0.2S - 0.5 - 0.5S - 1 - 5P - 10P
Accuracy factor	5 - 10 - 15 - 20 - 30
Continuous thermal current	1.2 I _{pn}
Short-time thermal current	80 I _{pn}
Dynamic current I _{dyn}	2.5 I _{th}
Inner diameter	240 to 690 mm
Ambient temperature	-25°C to + 40°C
Insulation material	Cast resin
Insulation class	E
Standards	IEC - IEEE - CSA - AS - BS

Other characteristics on request

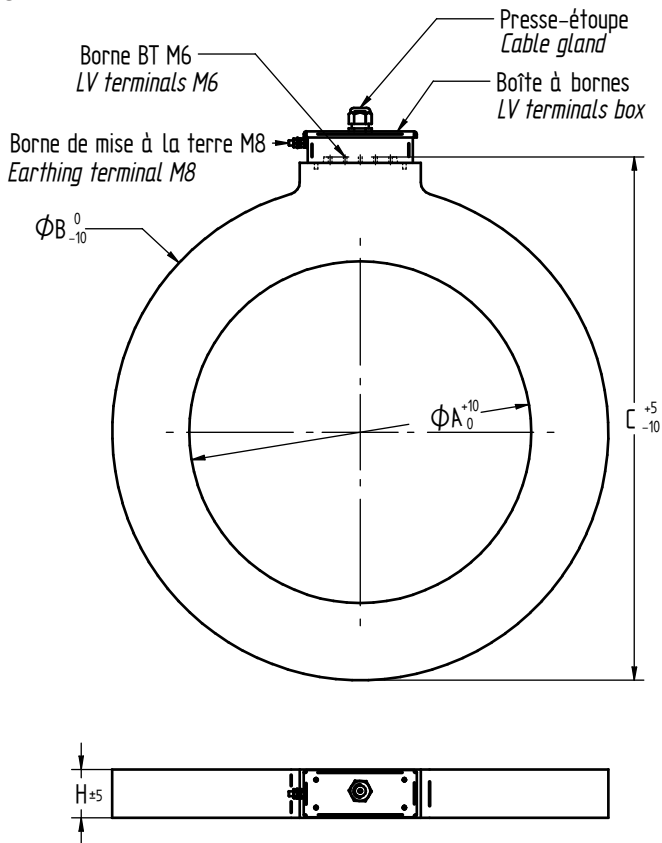
Highest voltage for equipment	2 kV
Power-frequency withstand voltage	6 kV
Multi-ratio	By secondary tapping
Accuracy class	PX, PXR, PR, TPS, TPX, TPY, TPZ
Ambient temperature	- 40°C to + 70°C

Accessories / Options

Watertight terminal box or cover with cable gland (IP43)	Supplied on outdoor ORBE series Optional on indoor ORB
Watertight plastic cover (IP54)	As standard on outdoor ORBE... W Optional on indoor ORB
Fixing clamps	On request
Earth terminal	On request
Voltage limiter	On request
Filtering capacitor	On request

CURRENT TRANSFORMER - ORB SERIES

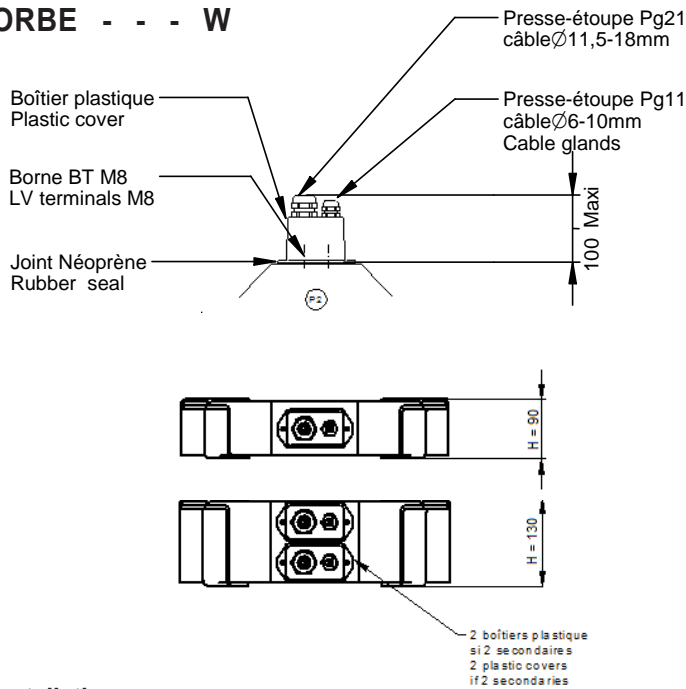
ORBE



Model	Ø A mm	Ø B mm	C mm	Weight kg	H mm
ORB 240-80-410	240	410	445	25	80
ORB 372-80-550	372	550	625	35	80
ORB 372-80-630	372	630	665	65	80
ORB 565-80-740	565	740	815	53	80
ORB 565-80-820	565	820	855	85	80
ORB 690-80-830	690	830	865	150	80
ORB 690-80-900	690	900	935	175	80
ORB 240-110-410	240	410	445	40	110
ORB 372-110-550	372	550	625	55	110
ORB 372-110-630	372	630	665	100	110
ORB 565-110-740	565	740	815	80	110
ORB 565-110-820	565	820	855	135	110
ORB 530-130-720	530	720	805	90	130
ORB 240-140-410	240	410	445	50	140
ORB 372-140-550	372	550	625	75	140
ORB 372-140-630	372	630	665	135	140
ORB 565-140-740	565	740	815	106	140
ORB 565-140-820	565	820	855	185	140
ORB 240-170-410	240	410	445	65	170
ORB 372-170-550	372	550	625	100	170
ORB 372-170-630	372	630	665	175	170
ORB 565-170-740	565	740	815	133	170
ORB 565-170-820	565	820	855	235	170
ORB 690-170-1010	690	1015	1050	350	170
ORB 240-200-410	240	410	445	75	200
ORB 372-200-550	372	550	625	120	200
ORB 372-200-630	372	630	665	210	200
ORB 565-200-740	565	740	815	158	200
ORB 565-200-820	565	820	855	285	200
ORB 690-200-1010	690	1010	1045	375	200
ORB 240-230-410	240	410	445	90	230
ORB 372-230-550	372	550	625	140	230
ORB 372-230-630	372	630	665	245	230
ORB 565-230-820	565	820	855	330	230
ORB 372-260-630	372	630	665	280	260
ORB 565-260-820	565	820	855	380	260
ORB 372-290-630	372	630	665	320	290
ORB 565-290-820	565	820	855	430	290
ORB 372-320-630	372	630	665	355	320
ORB 565-320-820	565	820	855	480	320

Option «Watertight plastic cover» (mounted instead of the watertight terminal box)

ORBE - - - W



Installation

- Tightening torque for secondary terminals M6 : 3 Nm.
- Caution ! Never leave the secondary circuit open while the primary conductor is energized. High voltages might surge at secondary terminals, which might be hazardous for people and destroy the current transformer.