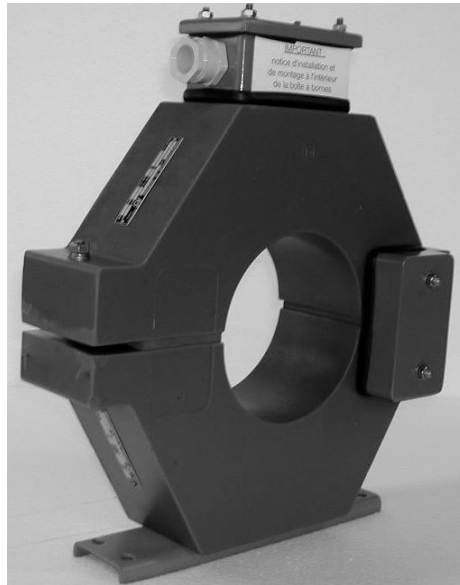


# SPLIT-CORE CURRENT TRANSFORMER - CR SERIES



CRE

- Split-core current transformers for indoor or outdoor use
- Large inner diameters up to Ø 690 mm
- Up to two cores
- Any protection class
- Easy to install

The change to newer, faster and more selective protective system makes it necessary to replace existing current transformers with different output, class, ratio, number of secondaries to suit the needs of the new protection.

The best solution is to use split-core current transformers on insulated cables or outside single phase metalclad units. This solution is very economical because

- It is not necessary to dismantle and remake the cable sealing ends on the metalclad units.
- There is no need to recommission and test the main equipment.
- It reduces the risk of damage and the length of outages at reduced costs.

These current transformers are available for indoor use (CR) or for outdoor use (CRE - CRE - - W).

### Technical data

Highest voltage for equipment	0.72 kV
Power-frequency withstand voltage	3 kV
Rated primary current I <sub>pn</sub>	200 to 20 000 A
Rated secondary current I <sub>sn</sub>	5 or 1 A
Rated frequency	50 or 60 Hz
Rated output	Up to 100 VA
Accuracy class	0.2 - 0.2S - 0.5 - 0.5S - 1 - 5P - 10P
Accuracy factor	5 - 10 - 15 - 20 - 30
Continuous thermal current	1.2 I <sub>pn</sub>
Short-time thermal current I <sub>th</sub>	80 I <sub>pn</sub>
Dynamic current I <sub>dyn</sub>	2.5 I <sub>th</sub>
Insulation class	E
Ambient temperature	- 25°C to + 40°C
Insulation material	Cast resin
Standard	IEC - IEEE - CSA - AS - BS

### Other characteristics on request

Highest voltage for equipment	2 kV
Power-frequency withstand voltage	6 kV
Multi-ratio	By secondary tapping
Accuracy class	PX, PXR, PR, TPS, TPX, TPY, TPZ
Ambient temperature	- 40°C to + 70°C

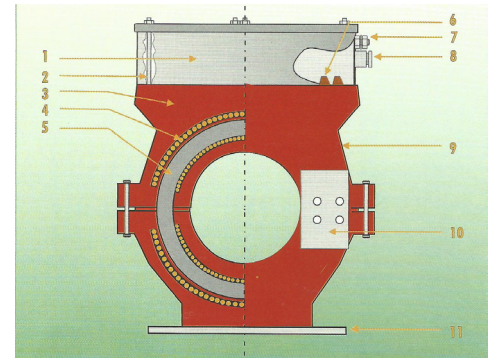
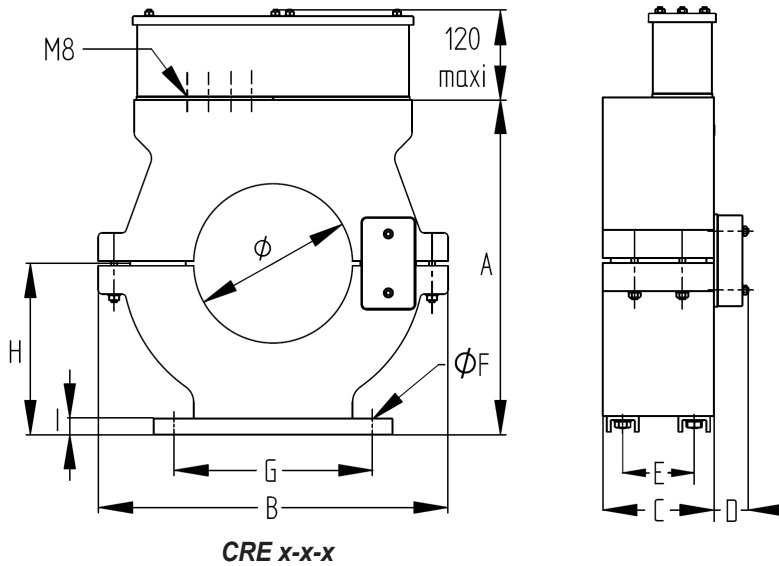
### Accessories / Options

Watertight secondary terminal box	As standard on outdoor CRE Optional on indoor CR
Watertight plastic cover	As standard on outdoor CRE...W Optional on indoor CR
Earth terminal	On request
Filtering capacitor	On request
Voltage limiter	On request

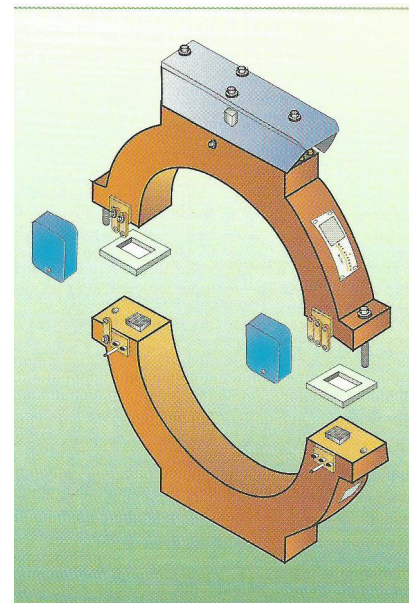
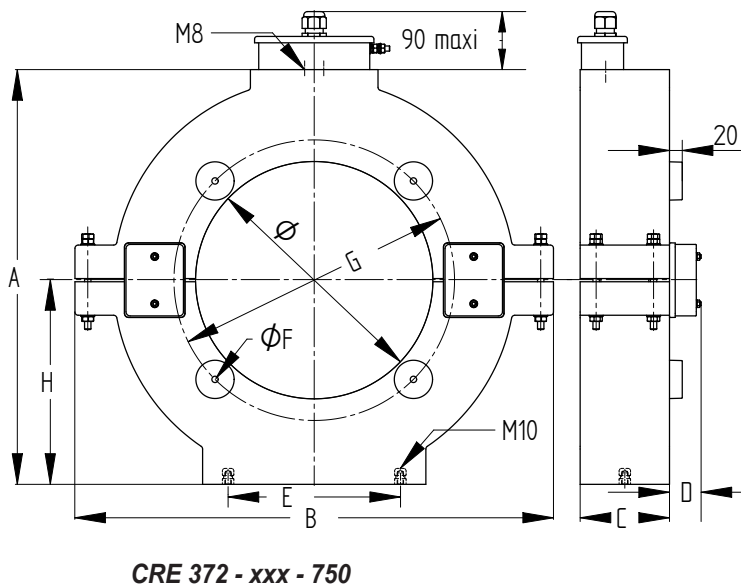
# SPLIT-CORE CURRENT TRANSFORMER - CR SERIES

## Dimensions

Model	Weight kg	Ø mm	A mm	B mm	C mm	D mm	E mm	ØF mm	G mm	H mm	I mm
CR 100-90-460	30	100	450	460	90	50	55	14	250	235	20
CR 100-150-460	70	100	450	460	150	50	90	14	250	235	20
CR 140-90-370	20	140	335	370	90	50	35	9	250	175	15
CR 140-140-370	35	140	335	370	140	50	90	12	250	175	15
CR 175-80-400	25	175	375	400	80	50	55	14	250	190	20
CR 175-140-400	40	175	375	400	140	50	90	14	250	190	20
CR 175-145-460	50	175	450	460	145	50	90	14	250	235	20
CR 200-80-440	25	200	420	440	80	50	55	14	250	215	20
CR 200-140-440	50	200	420	440	140	50	90	14	250	215	20
CR 200-145-460	65	200	450	460	145	50	90	14	250	235	20
CR 300-90-560	40	300	530	560	90	50	55	14	250	270	20
CR 300-150-560	80	300	530	560	150	50	90	14	250	270	20
CR 372-90-750	90	372	650	750	90	50	270	M10	440	320	-
CR 372-140-750	120	372	650	750	140	50	270	M10	440	320	-
CR 480-90-740	50	480	690	740	90	50	-	14	450	370	25
CR 580-90-840	60	580	790	840	90	50	-	14	450	420	25
CR 690-90-970	60	690	940	970	90	40	-	14	450	495	25



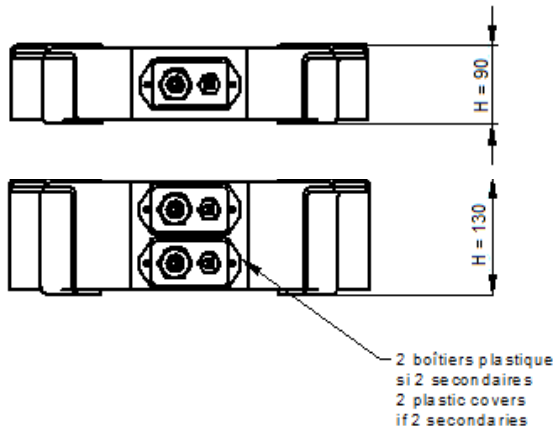
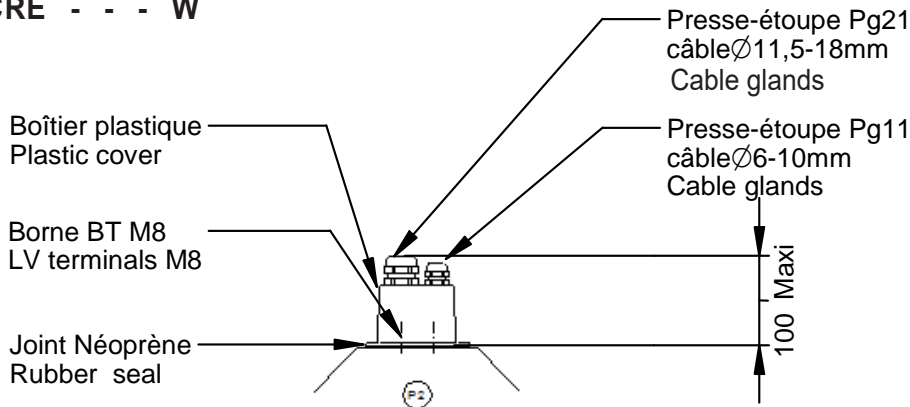
1. Secondary terminal box
2. Cover fixing screws
3. Resin
4. Secondary winding
5. Magnetic circuit
6. Secondary terminals (M8)
7. Earth terminal
8. Cable gland CM 18 P (PE21)
9. Rating plate
10. Auxiliary box
11. Mounting base



## SPLIT-CORE CURRENT TRANSFORMER - CR SERIES

**Option** «Watertight plastic cover» (mounted instead of the watertight terminal box)

**CRE - - - W**



19

### Installation

- These current transformers are designed for fitting over :
  - LV bare conductors
  - LV, HV, EHV insulated cables
  - metalclad conductors 420 ou 525 kV
- The outdoor split-core current transformer type CRE is made of :
  - a base part with fixing fittings
  - a top part which is attached to the base and is fitted with a terminal box.
  - one or 2 auxiliary boxes for the protection of the terminals linking the windings of each part
- In the case of a horizontal installation, it is compulsory to install it on flat holding bracket. The supplied set of fixing brackets are not designed for this type of assembly
- Tightening torque for secondary terminals M8 : 7 Nm.
- Caution ! Never install a split-core CT while the primary conductor is energized.
- Caution ! Never leave the secondary circuit open while the primary conductor is energized. High voltages

Cette page a été intentionnellement laissée vierge

This page intentionally left blank

Esta página fue dejada en blanco intencionalmente