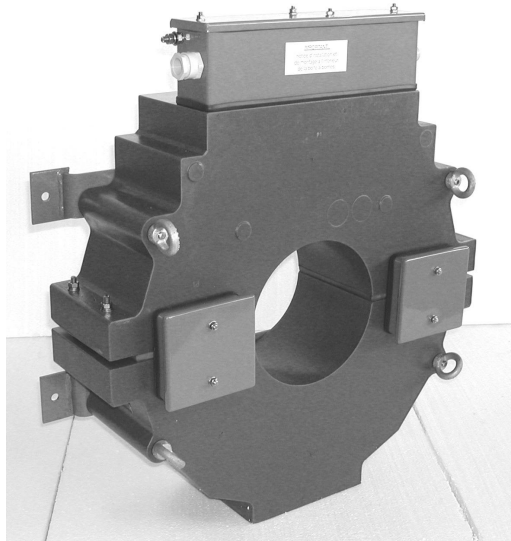


SPLIT-CORE CURRENT TRANSFORMER - CRF SERIES



CRFE 200-220-550

- **Split-core current transformers for indoor or outdoor use**
- **Up to 2 cores**
- **Any protection class even for transient**

The change to newer, faster and more selective protective system makes it necessary to replace existing current transformers with different output, class, ratio, number of secondaries to suit the needs of the new protection.

The best solution is to use split-core current transformers on insulated cables or outside single phase metalclad units.

This solution is very economical because

- It is not necessary to dismantle and remake the cable sealing ends on the metalclad units.
- There is no need to recommission and test the main equipment.
- It reduces the risk of damage and the length of outages at reduced costs.

These current transformers are available for indoor use (CRF) or outdoor use (CRFE - CRFE - - W).

Technical data

Highest voltage for equipment	0.72 kV
Power-frequency withstand voltage	3 kV
Rated primary current I _{pn}	200 to 20000 A
Rated secondary current I _{sn}	5 or 1 A
Rated frequency	50 or 60 Hz
Rated output	Up to 100 VA
Accuracy class	0.2 - 0.2S - 0.5 - 0.5S - 1 - 5P - 10P
Accuracy limit factor	5 - 10 - 15 - 20 - 30
Continuous thermal current	1.2 I _{pn}
Short-time thermal current I _{th}	80 I _{pn}
Dynamic current I _{dyn}	2.5 I _{th}
Insulation class	E
Ambient temperature	- 25°C to + 40°C
Insulation material	Cast resin
Standard	IEC - IEEE - CSA - AS - BS

Other characteristics on request

Highest voltage for equipment	2 kV
Power-frequency withstand voltage	6 kV
Multi-ratio	By secondary tapping
Accuracy class	PX, PXR, PR, TPS, TPX, TPY, TPZ
Ambient temperature	- 40°C to + 70°C

Accessories / Options

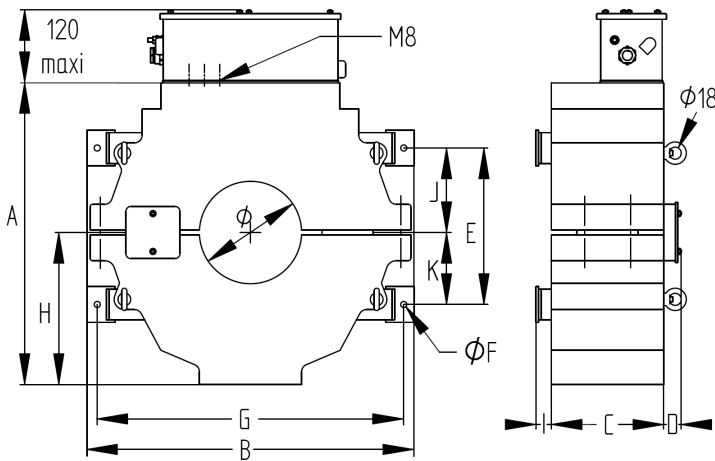
IP43 secondary terminal box	As standard on outdoor CRFE Optional on indoor CRF
IP54 plastic cover	As standard on outdoor CRFE ...W Optional on indoor CRF
Earth terminal	On request
Filtering capacitor	On request
Voltage limiter	On request

SPLIT-CORE CURRENT TRANSFORMER - CRF SERIES

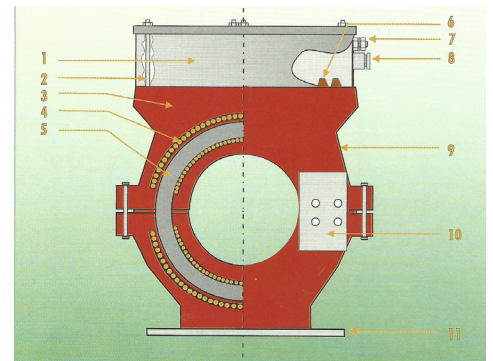
Dimensions

Model	Weight kg	Ø mm	A mm	B mm	C mm	D mm	E mm	ØF mm	G mm	H mm	I mm	J mm	K mm
CRF 60-260-370	90	60	320	370	260	50	150	10	262	160	-	75	-
CRF 140-90-400	30	140	450	460	90	50	55	12	-	235	-	75	-
CRF 140-150-400	50	140	450	460	150	50	90	12	-	235	-	75	-
CRF 200-150-550	130	200	590	640	150	50	300	12	600	295	30	160	140
CRF 200-170-550	160	200	590	640	170	50	300	12	600	295	30	160	140
CRF 200-220-550	200	200	590	640	220	50	300	12	600	295	30	160	140
CRF 200-260-550	240	200	590	640	260	50	300	12	600	295	30	160	140

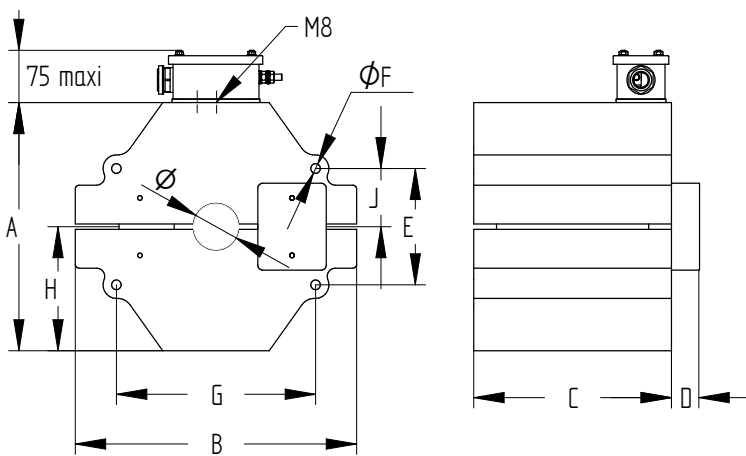
Note : CFRE 175-145-400 see Notice M1GS CRE 175-145-460



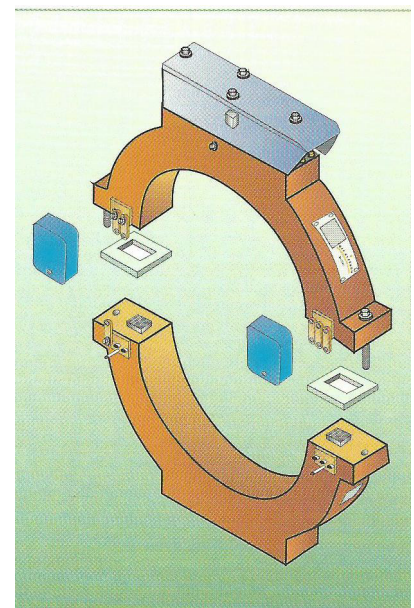
CRFE x-x-x with IP43 metallic cover



1. Secondary terminal box
2. Cover fixing screws
3. Resin
4. Secondary winding
5. Magnetic circuit
6. Secondary terminals (M8)
7. Earth terminal
8. Cable gland CM 18 P (PE21)
9. Rating plate
10. Auxiliary box
11. Mounting base



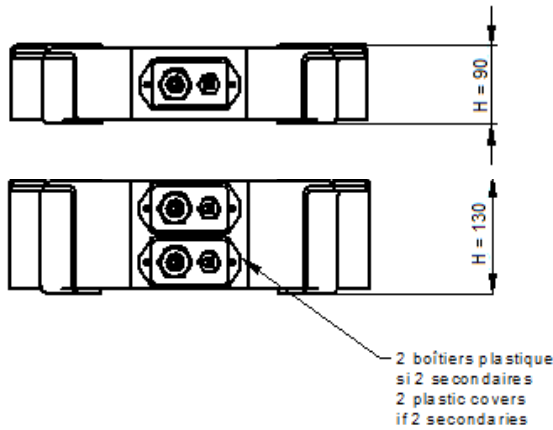
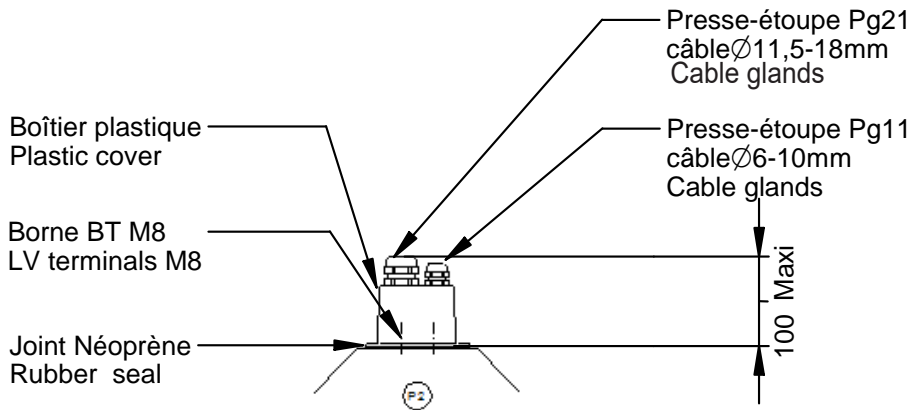
CRFE 60-260-370 with IP43 metallic cover



SPLIT-CORE CURRENT TRANSFORMER - CRF SERIES

Option «Watertight plastic cover» (mounted instead of the watertight terminal box)

CRFE - - - W



Installation

- These current transformers are designed for fitting over :
 - LV bare conductors
 - LV, HV, EHV insulated cables
 - metalclad conductors 420 ou 525 kV
- The split-core current transformer type CRFE is made of :
 - a base part with fixing fittings
 - a top part which is attached to the base and is fitted with a terminal box.
 - one or 2 auxiliary boxes for the protection of the terminals linking the windings of each part
- In the case of a horizontal installation, it is compulsory to install at on flat holding bracket.. The supplied set of fixing brackets are not planned for this type of assembly
- Tightening torque for secondary terminals M8 : 7 Nm.
- Caution ! Never install a split-core CT while the primary conductor is energized.
- Caution ! Never leave the secondary circuit open while the primary conductor is energized. High voltages might surge at secondary terminals, which might be hazardous for people and destroy the current transformer.

Cette page a été intentionnellement laissée vierge

This page intentionally left blank

Esta página fue dejada en blanco intencionalmente