

CURRENT TRANSFORMERS FOR BUSHINGS

ABU SERIES



ABU



ABU

- **RTE Specifications**
- **Outdoor use**
- **Thermoset resin**
- **Measuring, differential protection, or HV outgoing protection.**

These Current Transformers are designed and developed in close collaboration with RTE, the French Electricity Transmission Network, to match the most stringent requirements of outdoor substations.

- The « window type » design makes it possible to install them under Extra High Voltage (EHV) environment taking advantage of the insulation of primary (cable, GIS busducts, wall bushing...).

- They can also be equipped with a filter capacitor to limit the high frequency voltage peaks appearing during connect/disconnect cycles, or in case of fault on the network.

- CT's of 1A secondary for outgoing line protection are equipped with a voltage limiter which protects the CT against overvoltage in case of secondary open circuit.

Technical data

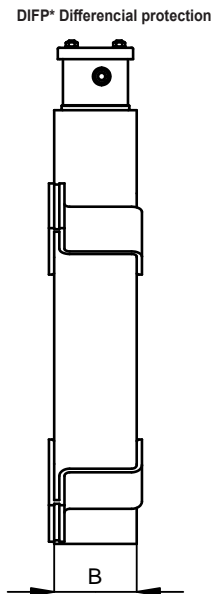
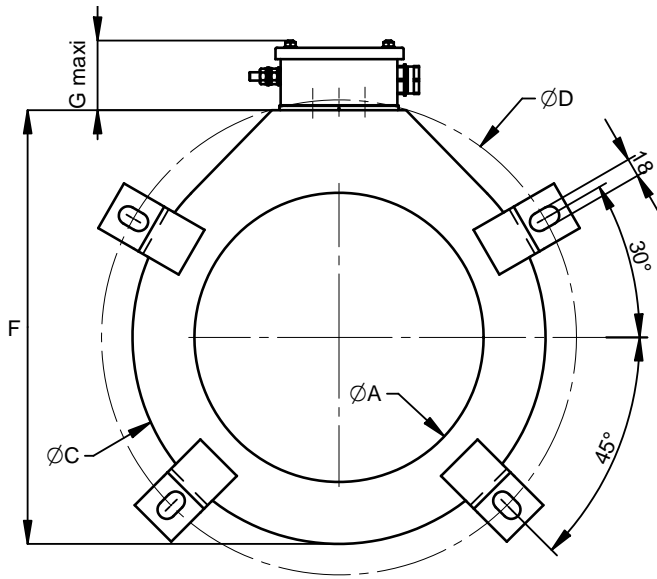
Highest voltage for equipment	0.72 kV
Power-frequency withstand voltage	3 kV
Primary current I _{pn}	500 to 3000 A
Secondary current I _{sn}	5 or 1 A
Frequency	50 Hz
Network nominal voltage	20 - 72.5 - 100 - 245 - 420kV
Accuracy class	0.5 - 5PR15 - 5PR20 - 5P15 - TPY
Ring core	Toroidal
Short time thermal current I _{th}	2 to 63 kA
Dynamic current I _{dyn}	5 to 171 kA
Idenner window diameter	280 à 1000 mm
Ambient Temperature	-25°C to + 40°C
Insulation material	Cast resin
Weatherproof terminal cover (IP43)	Vent, M8 earth terminal
Fixing brackets	Galvanized steel
Reference standart	RTE - CNER - DP - MHT - 13 - 00008

Accessories / Options

Fixing brackets	Stainless steel upon request
Filter capacitor	By construction on ABUA-B-D-E-F-G-H-S-T-U
Voltage limiter	By construction ABUR- ABUS

CURRENT TRANSFORMERS FOR BUSHINGS - ABU SERIES

Réf. RTE	Code RTE	Codet ERDF	Use	Ratio	Power and class	Name	ØA	B	ØC	ØD	F	G	Weight kg
ABUA	554900	7030050	DIFP*	3000/5	30VA cl5PR20	ORFE 700-80-860	700	80	860	970	870	120	45
ABUB	554901	7030051	DIFP*	1500/5	20VA cl5PR20	ORFE 550-80-720	550	80	720	820	740	120	45
ABUD	-	7030052	DIFP*	1500/5	20VA cl5PR20	ORFE 315-80-480	315	80	480	590	500	120	30
ABUE	554903	7030053	DIFP*	1500/5	20VA cl5PR20	ORFE 450-80-600	450	80	600	725	620	120	35
ABUF	-	7030054	DIFP*	2000/5	20VA cl5PR15	ORFE 315-80-480	315	80	480	590	500	120	25
ABUG	-	7030055	DIFP*	2000/5	20VA cl5PR15	ORFE 450-80-600	450	80	600	725	620	120	30
ABUH	-	7030056	DIFP*	3000/5	30VA cl5PR20	ORFE 1000-80-1200	1000	80	1200	1370	1220	120	70
ABUK	554907	7030057	MAX I	2000/1	5VA cl5P15	ORFE 315-80-440	315	80	440	500	460	75	20
ABUL	559152	7030058	Metering MAX I	4000/5 4000/5	35 cl0,5FS15 30VA cl10P5	ORFE 390-120-520	390	120	520	580	540	75	30
ABUM	554908	7030059	Metering Metering MAX I	2500/5 1500/5 2500/5	30VA cl0,5FS15 30VA cl0,5FS15 30VA cl10P5	ORFE 280-120-400	280	120	400	460	420	75	20
ABUN	-	-	MAX I MAX I	2400/5 1200/5	10VA cl10P5 10VA cl10P5	ORFE 258-80-360	258	80	360	420	380	75	10
ABUO	-	-	MAX I	500/5	30VA cl5P20	ORFE 315-90-520	315	90	520	682	540	75	55
ABUP	-	-	MAX I	500/5	30VA cl5P20	ORFE 450-90-640	450	90	640	800	660	75	85
ABUQ	554967	7030060	MAX I MAX I	2500/5 1250/5	30VA cl5P5 30VA cl5P5	ORFE 280-80-400	280	80	400	460	420	75	15
ABUR	554968	7030061	DIFP*	3000/1	1,2VA cl5P20-TPY	ORFE 715-140-980	715	140	980	1105	1000	155	180
ABUS	-	-	DIFP*	3000/1	1,2VA cl5P15-TPY	ORFE 1000-140-1300	1000	140	1300	1420	1320	155	230
ABUT	558034	-	DIFP*	1000/5	50VA cl5PR20	ORFE 315-80-600	315	80	600	660	620	120	65
ABUU	558033	-	DIFP*	1000/5	50VA cl5PR20	ORFE 450-80-720	450	80	720	780	740	120	85
ABUX	571652	7030062	Metering	500/5	20VA CL0,2S FS15	ORFE 550-120-720	550	120	720	820	740	120	85
ABUX-E		7030063	Metering	200/5 250/5 500/5	20VA 20VA 20VA	ORFE 550-150-720	550	150	720	820	740	120	102
ABUZ	-	-	DIFP*	4000/1	5VA CL5P10	ORFE 315-80-440	315	80	440	500	460	75	20



Detailed drawings available upon request :

- terminal box
- overall dimensions
- name plate
- connections sketch

Installation

- Installing these CT's may require implementing special supporting fixings on existing structures.
- Tightening torque of secondary terminal M8 : 7 Nm.
- Never leave open the secondary circuit of a current transformer when fed on primary. High voltage may surge at the secondary circuit terminals and might be dangerous for people, and lead to the destruction of the current transformer. The voltage limiter device available as option for 1A secondary CT's enables users to avoid such risk.