

# CABLE PRIMARY CURRENT TRANSFORMERS HIGH PERFORMANCE P80S SERIES



P80S40

- Primary current from 40 to 3000 A
- Inner diameter from 25mm to 60mm
- High performance characteristics
- Variable geometry
- Measurement and protection

Moulded case current transformers for the measurement of AC currents up to 3000A, with inner diameters from 25mm up to 60mm.

They are made of a non-flammable plastic material and have heavy insulation. They are equipped as standard with EA mounting brackets.

This range has been designed to meet the demanding requirements of protection relays.

### Technical data

Highest voltage for equipment	0.72 kV
Power-frequency withstand voltage	3 kV
Primary current I <sub>pn</sub>	40 to 3000 A
Secondary current I <sub>sn</sub>	5 or 1 A
Frequency	50 or 60 Hz
Rated output	1 to 60 VA
Accuracy class	0.5 - 1 - 3
Security factor	5 to 30
Continuous thermal current	1.2 I <sub>pn</sub>
Short-time thermal current I <sub>th</sub>	80 I <sub>pn</sub> .1s
Dynamic current I <sub>dyn</sub>	2.5 I <sub>th</sub>
Insulation class	E
Ambient temperature	-25°C to + 40°C
Case	Thermoplastic UL94 V0
Standards	IEC - IEEE - CSA - AS - BS

### Other characteristics on request

Highest voltage for equipment	Up to 2400 V
Power-frequency withstand voltage	Up to 11 kV
Secondary current I <sub>sn</sub>	0.005 to 10 A
Frequency	1 to 10000 Hz
Accuracy class	0.1 - 0.2 - 0.2S - 0.5S - 5P - 10P - cIX
Accuracy limit factor	5 - 10 - 15 - 20 - 30
Multi-ratio	
Multiple cores	
Ambient temperature	-40 °C to +70 °C

### Accessories / Options

Mounting brackets	EN type
Strengthened mounting brackets	EB type
Sealable terminal cover (IP20)	
Tropicalization	

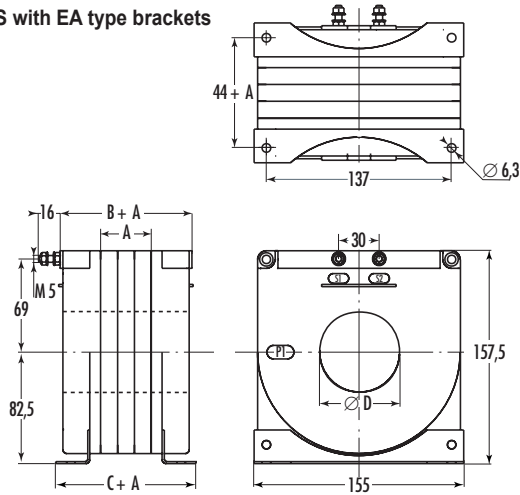
# CABLE PRIMARY CURRENT TRANSFORMERS - HIGH PERFORMANCE P80S SERIES

## Dimensions

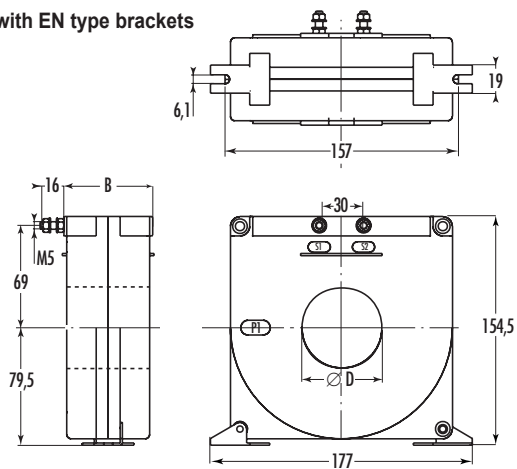
Type	A mm	B mm	C mm	D mm
P80S25	-	60	66	Ø 25
P80S40	-	60	66	Ø 39
P80S50	-	60	66	Ø 50
P80S60	-	60	66	Ø 60

Dimension A=0 as standard size. May vary according to required characteristics

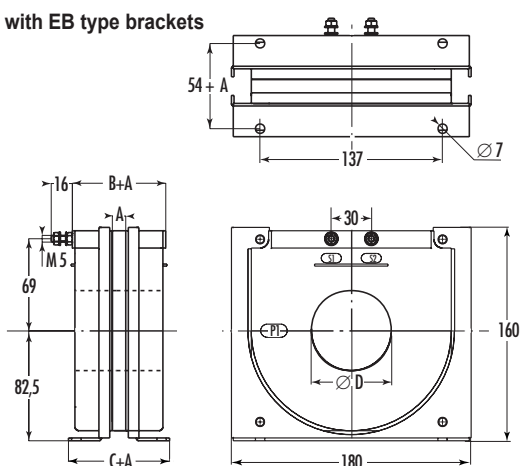
### P80S with EA type brackets



### P80S with EN type brackets



### P80S with EB type brackets



• Tightening torque for M5 secondary terminals: 2.5 Nm