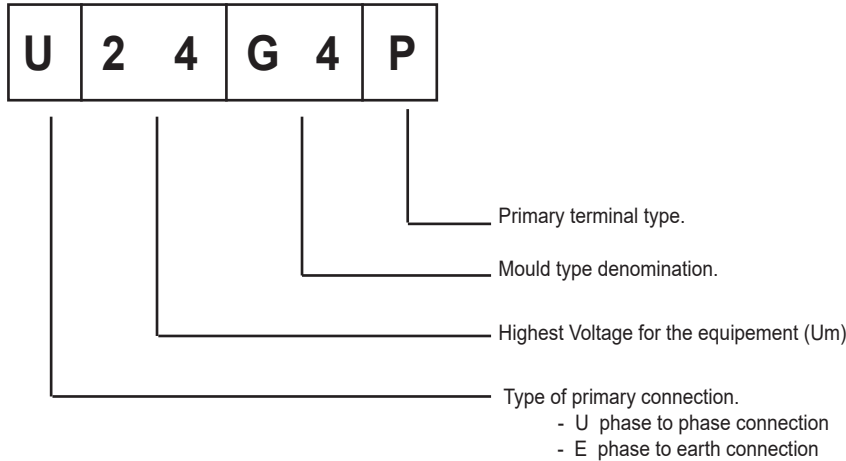


SINGLE PHASE 2-POLE OUTDOOR VOLTAGE TRANSFORMERS U..G.. R/P/G/M/V SERIES

Denomination example :



U24G4P

- **Outdoor**
- **7.2 - 12 - 17.5 - 24 - 36 - 52 kV**
- **Primary voltage up to 52 kV**

2-pole voltage transformer vacuum moulded in self extinguishing epoxy resin for the measure of AC voltages between phases up to 52 000 V.

This series also allows for feeding auxiliaries up to 10 000 VA CLA.

A metallic coating ensures a safe distribution of the magnetic field and zero-potential surface.

The anti-explosion system exclusively deals with secondary fault (short-circuit, maintained overload...). Under no circumstances it can handle a primary fault (overvoltage, ferroresonance, lightning, switching...)

This system must be associated with a cut-off relay. Maintaining feeding of VT would result in its destruction.

Technical data

Rated insulation level	From 3.6/16/45 kV to 52/95/250 kV
Primary voltage Upn	Up to 52 000 V
Secondary voltage Usn	100 - 110 V
Frequency	50 or 60 Hz
Rated output	Up to 200 VA CL 0.5 - 400 VA CL 1 - 1000 VA CL 3
Accuracy class	0.1 - 0.2 - 0.5 - 1 - 3 - 3P - 6P
Voltage factor	1.9 Upn 8h
Thermal limiting output	Up to 10 000 VA
Surface finish	Touch-proof (deadtank) or Polyurethane
Fixing plate	Standard
Sealable cover for secondary terminal (IP65)	Standard
Insulation class	E
Ambient temperature	- 5°C to + 40°C
Standards	IEC - IEEE - CSA - AS - BS - UNE

Other characteristics on request

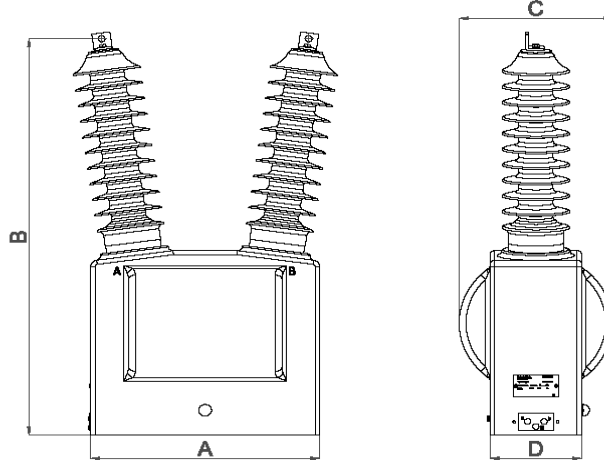
Secondary voltage Usn	10 to 600V
Secondary windings	Up to 3
Voltage factor	1.9 Upn 30s - 1.5 Un 30s - 1.9 Un 8h
Ambient temperature	- 25°C to + 70°C
Application	Measure and/or protection
Antiferroresonance	Low induction

Accessories / Options

Surface finish	Silicone coating
Earth connector	Option
Anti-explosion system	Option

SINGLE PHASE 2-POLE OUTDOOR VOLTAGE TRANSFORMERS - U..G.. R/P/G/M/V SERIES

MODELS CAPACITY / VOLUME																			
U..G3..				U..G5..				U..G7..				U..G8..							
MAXIMUM SECONDARY Nº																			
1, 2 or 3				1, 2 or 3				1, 2 or 3				1, 2 or 3							
MAXIMUM TOTAL BURDEN [VA]																			
Up kv.	cl.0,2	cl.0,5	cl.1	cl.3	Up kv.	cl.0,2	cl.0,5	cl.1	cl.3	Up kv.	cl.0,2	cl.0,5	cl.1	cl.3	Up kv.	cl.0,2	cl.0,5	cl.1	cl.3
≤24	25	50	100	250	≤24	100	250	500	1500	≤24	450	1000	2000	6000	≤24	500	1200	2400	7000
	Pth.[VA.]: 350					Pth.[VA.]: 2100					Pth.[VA.]: 8500					Pth.[VA.]: 10000			
36	-	-	-	-	36	60	130	280	900	36	350	850	1700	5000	36	500	1200	2400	7000
	Pth.[VA.]: -					Pth.[VA.]: 1200					Pth.[VA.]: 7500					Pth.[VA.]: 10000			
52	-	-	-	-	52	-	-	-	-	52	150	350	700	2000	52	200	400	800	2400
	Pth.[VA.]: -					Pth.[VA.]: -					Pth.[VA.]: 3500					Pth.[VA.]: 3200			
mm.	A	B	C	D	mm.	A	B	C	D	mm.	A	B	C	D	mm.	A	B	C	D
M:	332	317	225	120	M:	382	350	270	146	M:	500	458	335	200	M:	560	561	410	270
	45 kg.					65 kg.					135 kg.					320 kg.			



PRIMARY TERMINALS

R	P	G	M	V
<p>LINEA DE FUGA/ CHEMINEMENT/ CREEPAGE DISTANCE : 530mm (1)</p> <p>249</p>	<p>LINEA DE FUGA/ CHEMINEMENT/ CREEPAGE DISTANCE : 767mm</p> <p>350</p>	<p>LINEA DE FUGA/ CHEMINEMENT/ CREEPAGE DISTANCE : 820mm</p> <p>389</p>	<p>LINEA DE FUGA/ CHEMINEMENT/ CREEPAGE DISTANCE : 1168mm</p> <p>497</p>	<p>LINEA DE FUGA/ CHEMINEMENT/ CREEPAGE DISTANCE : 1405mm</p> <p>497</p>

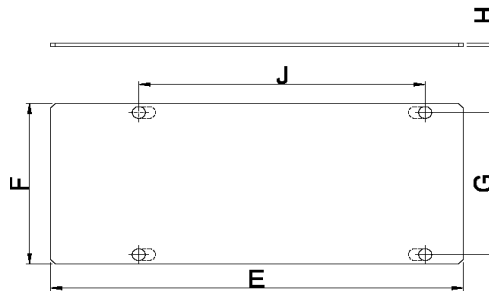
SECONDARY TERMINALS

PLASTIC BOX	METALLIC BOX		CABLE
Taps: M6 Screws	Taps: M6 Screws	Taps: M6 Screws	2 / 3 / 4 / ... copper wire cable. Different cross section depending on maximal burden. With or without Ground wire. VO capable.
Protection: White Sealable box (Optional)	Protection: Stainless Steel (Optional)	Protection: Stainless Steel (Optional)	
IP65 PG11+PG21 tap	IP53 2x PG21 + 2x breather + ground	IP54 2x PG16 + 1x breather	

SURFACE FINISH / COATING

Metallic coating / Touchproof	Polyurethane Coating	Silicone Coating
-------------------------------	----------------------	------------------

STANDARD BASE PLATES / FIXING BRACKETS



E..G3..				E..G5..				E..G7..				E..G8..							
mm.	E	F	G	J	mm.	E	F	G	J	mm.	E	F	G	J	mm.	E	F	G	J
	310	180	150	290		340	290	240	270		600	340	300	500		700	420	370	670
	H.: 16					H.: 5					H.: 20					H.: 20			
	Fixing Holes: Ø 11					Fixing Holes: Ø 15 x 10					Fixing Holes: Ø 12.5					Fixing Holes: Ø 12.5			