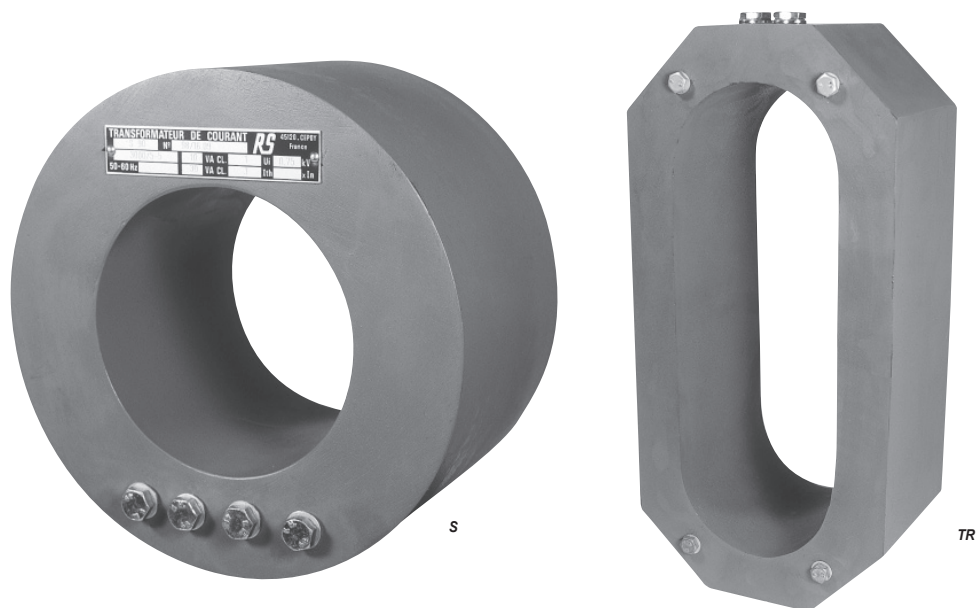


BAR OR CABLE PRIMARY CURRENT TRANSFORMERS TR & S SERIES



- **Indoor**
- **Primary current from 200 to 8000 A**
- **Measurement and protection**
- **High resistance to shocks, vibrations, salt and moisture**

Current transformers cast in self-extinguishing resin for the measurement of AC current from 200 to 8000 A.

This range has an excellent resistance to shocks, vibrations, salt and moisture.

Technical data

Highest voltage for equipment	0.72 kV
Power-frequency withstand voltage	3 kV
Primary current I _{pn}	200 to 8000 A
Secondary current I _{sn}	5 or 1 A
Frequency	50 or 60 Hz
Rated output	1 to 120 VA
Accuracy class	0.5 - 1 - 3
Security factor	5 to 30
Continuous thermal current	1.2 I _{pn}
Short-time thermal current I _{th}	80 I _{pn} .1s
Dynamic current I _{dyn}	2.5 I _{th}
Insulation class	E
Ambient temperature -25 °C to +40 °C	-25°C to + 40°C
Standards	IEC - IEEE - CSA - AS - BS

Other characteristics on request

Highest voltage for equipment	Up to 2400 V
Power-frequency withstand voltage	Up to 11 kV
Secondary current I _{sn}	0.005 to 10 A
Frequency	1 to 10000 Hz
Accuracy class	0.1 - 0.2 - 0.2S - 0.5S - 5P - 10P - cIPX
Accuracy limit factor	5 - 10 - 15 - 20 - 30
Multi-ratio	
Multiple cores	
Ambient temperature	-40 °C to +70 °C

Accessories / Options

Waterproof cover	Depending on model
Outdoor version	Depending on model
Voltage limiter	90-200-450-600-1500V - See datasheet M2MA index 17

BAR OR CABLE PRIMARY CURRENT TRANSFORMERS - TR & S SERIES

Selection table

Ip A	Type	Output maximum VA		
		cl 3	cl 1	cl 0.5
200	S65	30	10	-
300	S65	45	15	5
	S90	30	10	-
	TR235	45	15	-
400	S65	60	50	30
	S90	60	45	30
	TR235	50	30	15
	TR385	50	30	15
500	S65	75	60	45
	S90	75	50	30
	TR235	60	45	15
	TR260	50	30	15
	TR385	50	30	15
600	S65	90	75	45
	S90	75	50	30
	TR235	75	50	30
	TR260	60	45	30
	TR385	50	45	30
	TR410	30	20	15
750	S65	90	75	50
or	S90	75	50	30
800	TR235	90	60	45
	TR260	75	45	30
	TR385	75	45	30
	TR410	60	45	30

Ip A	Type	Output maximum VA			
		cl 3	cl 1	cl 0.5	
1000	S65	120	100	75	
to	S90	100	75	50	
1250	TR235	100	75	50	
	TR260	100	75	50	
	TR385	100	75	50	
	TR410	75	60	45	
1500	S65	120	100	75	
	or	S90	100	75	50
	1750	TR235	100	100	75
		TR260	100	75	50
		TR385	100	75	50
	TR410	100	75	50	
2000	S65	120	100	75	
	to	S90	100	90	75
	3000	TR235	100	100	75
		TR260	100	75	50
		TR385	100	75	50
	TR410	100	75	50	
4000	TR235	120	100	75	
	to	TR260	120	100	75
	8000	TR385	120	100	75
		TR410	120	100	75

Dimensions

Type	A	B	C	D	E	F	M	H maxi
	mm	mm	mm	mm	mm	mm	mm	mm
TR235	235	65	345	175	250	85	M6	150
TR260	260	90	345	175	270	85	M6	150
TR385	385	65	495	175	400	85	M6	150
TR410	410	65	495	175	420	85	M6	150
S65	65	165	90	85	55	-	M6	200
S90	90	165	90	85	60	-	M6	200
S105	105	235	120	120	85	-	M8	200
S165	-	165	90	90	60	-	M6	200
S210	-	210	100	100	60	-	M8	140
S240	240	345	208	208	147	-	M8	140
S303	303	490	282	282	200	-	M12	200

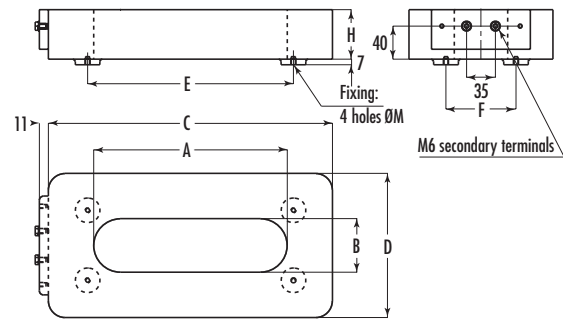
Dimension H varies between 45 and 200mm according to specifications.
TR65 and TR90 renamed S65 and S90

Installation

Tightening torque:

- Inserts M6: 6Nm
- Inserts M8: 10Nm
- Inserts M12: 20Nm

TR235...TR410



S65...S303

