

OUTDOOR CURRENT TRANSFORMERS - TA..PE.. SERIES



TA6PBE



TA9PE40

- **Outdoor**
- **Primary current from 0 to 4000 A**
- **Measurement and protection**

Outdoor current transformers for the measurement of AC currents up to 4000A.

They are moulded in self-extinguishing resin and have heavy insulation as standard. They are equipped with a weatherproof terminal box fitted with 2 cable glands.

This range complies with the requirements of the European Directive 2014/34/UE.

Technical data

Highest voltage for equipment	0.72 kV
Power-frequency withstand voltage	3 kV
Primary current I _{pn}	0 to 4000 A
Secondary current I _{sn}	5 or 1 A
Frequency	50 or 60 Hz
Rated output	1 to 100 VA
Accuracy class	0.5 - 1 - 3
Security factor	5 - 10 - 15 - 20 - 25 - 30
Continuous thermal current	1.2 I _{pn}
Short-time thermal current I _{th}	80 I _{pn} .1s
Dynamic current I _{dyn}	2.5 I _{th}
Insulation class	E
Ambient temperature	- 25°C to + 40°C
Standards	IEC - IEEE - CSA - AS - BS

Other characteristics on request

Highest voltage for equipment	Up to 2400 V
Power-frequency withstand voltage	Up to 11 kV
Secondary current I _{sn}	0.005 to 10 A
Frequency	1 to 10000 Hz
Accuracy class	0.1 - 0.2 - 0.2S - 0.5S - 5P - 10P - cIPX
Accuracy limit factor	5 - 10 - 15 - 20 - 30
Multi-ratio	
Multiple cores	Up to 3
Ambient temperature	- 40 °C to + 70 °C

Accessories / Options

Voltage limiter	90-200-450-600-1500V, see datasheet M2MA index 17
ATEX directive	As a component of an ATEX system

OUTDOOR CURRENT TRANSFORMERS - TA...PE..SERIES

Selection table

Ip A	Type	Output maximum VA			Ip A	Type	Output maximum VA		
		cl 3	cl 1	cl 0.5			cl 3	cl 1	cl 0.5
5 to 150	TA6PBE	45	30	15	300	TA6PE	45	30	15
	TA9PBE	60	45	30		TA6PE40	40	20	10
50	TA6PE	5	-	-	400	TA9PE40	60	30	20
	TA9PE40	10	-	-		TA11PE60	60	45	30
60	TA6PE	5	-	-	500	TA6PE	45	30	15
	TA9PE40	10	-	-		TA6PE40	30	20	10
75	TA6PE	10	-	-	600	TA9PE40	45	30	20
	TA9PE40	15	-	-		TA11PE60	60	45	30
100	TA6PE	15	5	-	750	TA6PE25	60	30	20
	TA6PE40	10	2.5	-		TA6PE40	45	20	15
	TA9PE40	20	10	-		TA9PE40	60	30	30
	TA11PE60	30	15	-		TA11PE60	60	45	30
125	TA6PE	20	10	-	1000	TA6PE40	45	30	20
	TA6PE40	10	5	-		TA9PE40	60	45	30
	TA9PE40	30	10	-		TA11PE60	75	60	45
	TA11PE60	30	15	-		1250	TA6PE40	45	30
TA6PE	30	15	-	TA9PE40	60		45	30	
TA6PE40	15	10	-	TA11PE60	75		60	45	
TA9PE40	40	15	-	200	TA6PE		30	20	10
TA9PE40	40	15	-		TA6PE40	20	15	5	
TA11PE60	45	15	-		TA9PE40	45	30	15	
TA11PE60	60	30	15		TA11PE60	60	30	15	
250	TA6PE	30	20	10	2500	TA6PE	30	20	10
	TA6PE40	20	15	10		TA6PE40	20	15	10
	TA9PE40	45	30	15		TA9PE40	45	30	15
	TA11PE60	60	45	20		TA11PE60	60	45	20

Dimensions

Type	Weight kg	A mm	B mm	D mm	E mm	F mm	G mm
TA6PE	2.5	131	80	75	90	-	12.5
TA6PBE	2.5	131	79	75	90	-	M 8
TA6PE25	2.5	131	-	75	90	-	25
TA6PE40	2.5	131	-	75	90	-	40
TA9PE	4.1	131	120	114	90	-	12.5
TA9PBE	4.1	131	120	114	90	-	M 8
TA9PE25	4.1	131	-	114	90	-	25
TA9PE40	4.1	131	-	114	90	-	40
TA9PE50	4.1	131	-	114	90	-	50
TA9PE60	4.1	131	-	114	90	-	60
TA11PE25	12	175	-	200	120	120	25
TA11PE40	12	175	-	200	120	120	40
TA11PE60	12	175	-	200	120	120	60
TA11PE80	12	175	-	200	120	120	80
TA15PE25	20	230	-	200	175	120	25
TA15PE40	20	230	-	200	175	120	40
TA15PE60	20	230	-	200	175	120	60
TA15PE80	20	230	-	200	175	120	80

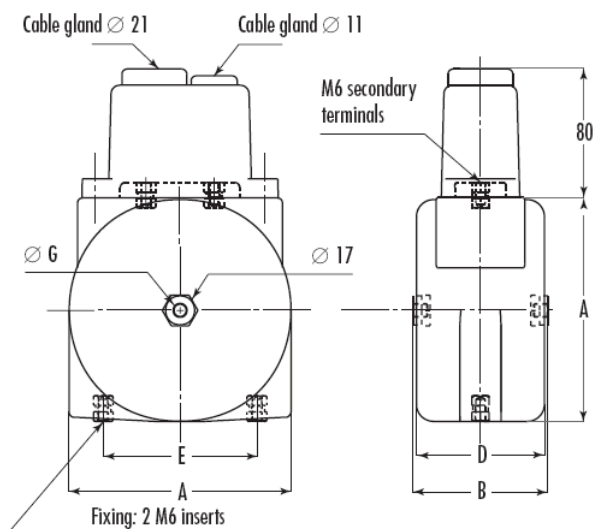
Installation

Tightening torque: Primary terminals M8: 15Nm

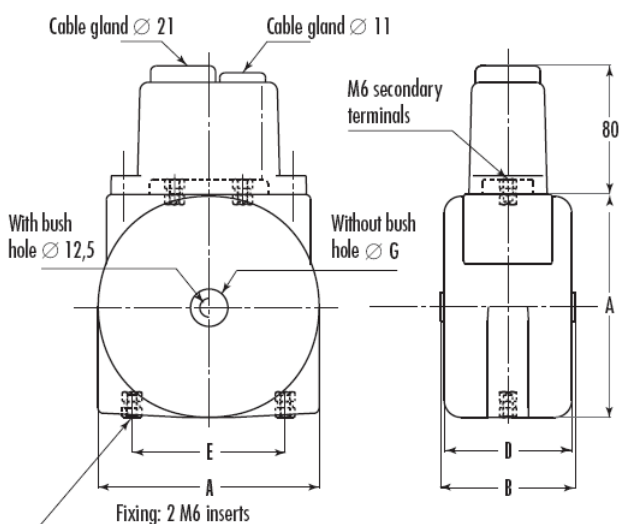
M6 inserts: 6Nm

M8 inserts: 10Nm

TA6PBE - TA9PBE



TA6PE... TA9PE60



TA11PE - TA15PE

