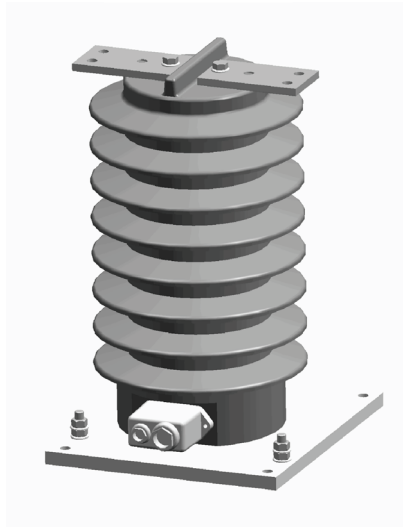


OUTDOOR CURRENT TRANSFORMERS - T36E SERIES



T36E

- **Outdoor**
- **7.2 - 12 - 17.5 - 24 - 36 kV**
- **1 or 2 secondary cores**

This outdoor current transformer has been designed to meet the very severe requirements of embedded equipment, specially for railway applications.

It is made of cycloaliphatic epoxy resin.

It is equipped with a weather-proof terminal box fitted with 2 cable glands and is supplied with a base plate.

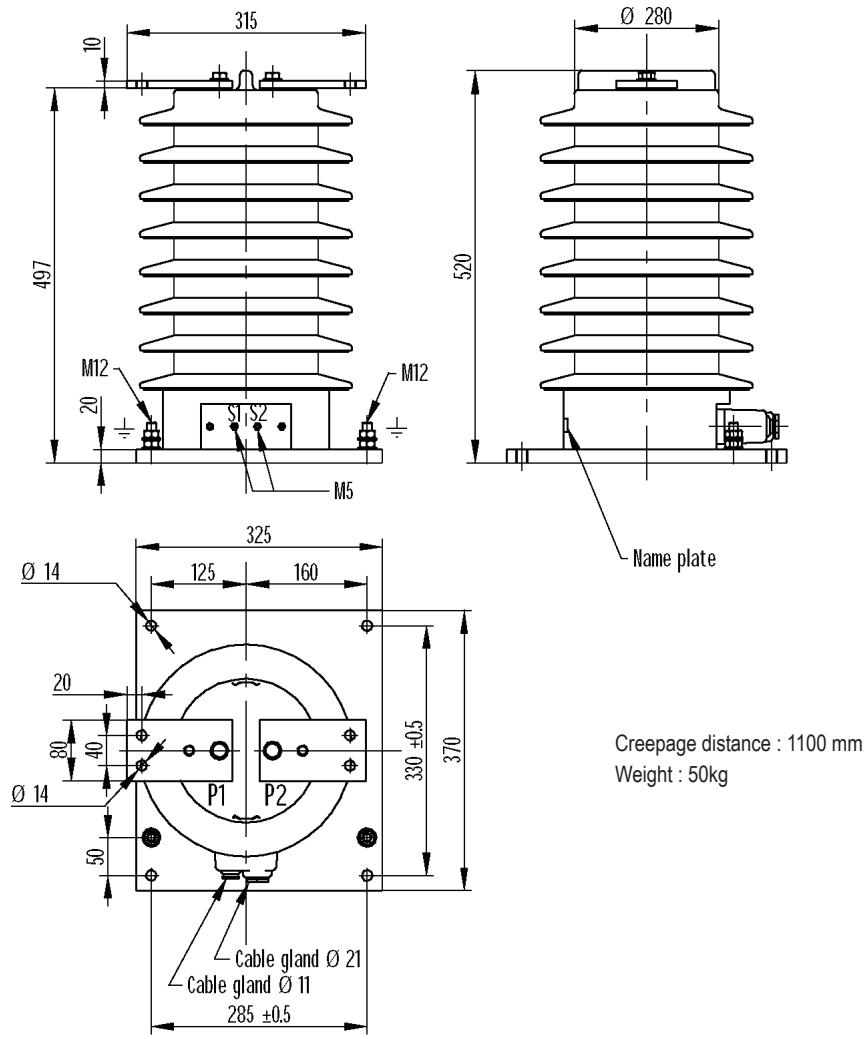
Technical data

Rated insulation level	7.2/20/60 kV to 36/70/170 kV
Primary current I_{pn}	Up to 1200 A
Secondary current I_{sn}	5 or 1 A
Frequency	50 or 60 Hz
Rated output	Up to 50 VA
Accuracy class	0.1 - 0.2 - 0.2S - 0.5 - 0.5S - 1 - 3 - 5P - 10P - CLX
Accuracy limit factor	5 - 10 - 15 - 20 - 30
Continuous thermal current	1.2 I_{pn}
Short-time thermal current I_{th}	Up to 500 I_n
Dynamic current I_{dyn}	2.5 I_{th}
Insulation class	E
Ambient temperature	- 25° C to + 40 °C
Secondary terminal cover	IP54
Standards	IEC - IEEE - CSA - AS - BS

Other characteristics on request

Frequency	16.66 Hz
Multiple cores	Up to 2 separate cores
Ambient temperature	- 40° C to + 70 °C
Sealable secondary terminal cover	

OUTDOOR CURRENT TRANSFORMERS - T36E SERIES



Installation

Never leave open the secondary circuit when voltage is on.

Tightening torque for primary terminals : 30 Nm.

Tightening torque for secondary terminals : 5 Nm.