

# OUTDOOR CURRENT TRANSFORMERS

## SERIES RC15E - RC36E - RC306E



RC15E

- **Outdoor**
- **7.2 - 12 - 17.5 - 24 - 36 kV**
- **Primary current up to 10000 A**
- **Ith up to 1000 Ipn**

Outdoor current transformers vacuum moulded in self extinguishing epoxy resin for the measurement of AC currents up to 10000A.

They are equipped with a weatherproof terminal box fitted with 2 cable glands.

### Technical data

Rated insulation level	7.2/20/60 kV to 36/70/170 kV
Primary current Ipn	0 to 10000 A
Secondary current Isn	5 or 1 A
Frequency	50 or 60 Hz
Rated output	1 to 60 VA
Accuracy class	0.1 - 0.2 - 0.2S - 0.5 - 0.5S - 1 - 3 - 5P - 10P - cIX
Accuracy limit factor	5 - 10 - 15 - 20 - 30
Continuous thermal current	1.2 Ipn
Short-time thermal current Ith	80 to 1000 Ipn
Dynamic current Idyn	2.5 Ith
Insulation class	E
Ambient temperature	- 25° C to + 40 °C
Standards	IEC - IEEE - CSA - AS - BS

24

### Other characteristics on request

Secondary current Isn	0.005 to 10 A
Double ratio	Secondary tapping
Multiple cores	Up to 2 separate cores
Ambient temperature	- 40° C to + 70 °C

### Accessories / Options

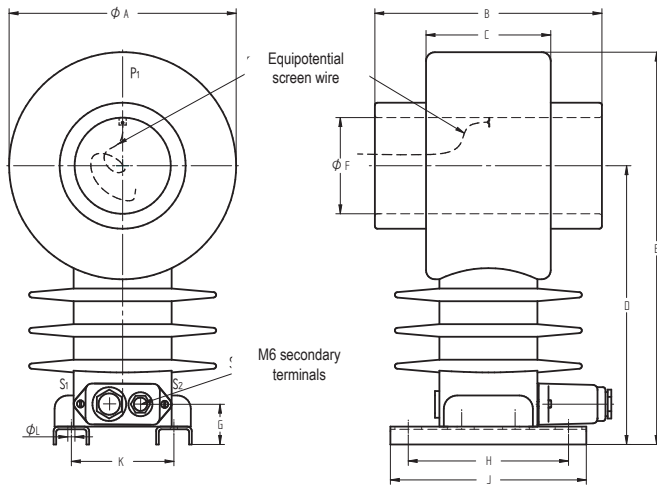
HV primary screen (see installation)	On RC series
--------------------------------------	--------------

# OUTDOOR CURRENT TRANSFORMERS SERIES RC15E - RC36E - RC306E

## Selection table and dimensions

Type	Un kV	Creepage distance mm	Weight kg	A mm	B mm	C mm	D mm	E mm	F mm	G mm	H mm	J mm	K mm	L mm
RC15E	24/50/125	490	22	255	255	140	310	438	106	42	180	220	115	8
RC306-250E	24/50/125	720	75	494	210	110	508	755	250	52	265	300	250	12.5
RC306E	24/50/125	700	71	494	210	110	508	755	306	52	265	300	250	12.5
RC36E	36/70/170	1440	40	240	350	250	395	515	80	29	-	-	-	-

### RC15E - RC306E - RC306-250E



### Installation

- In 24kV, for the RC15E model, it is advisable that the conductor passing through the transformer should be round, with a maximum diameter of 80 mm, centered in the hole. A bar may be used provided that its edges are rounded.
- When equipped with, the HV primary screen wire must be connected to the HT.
- Tightening torque  
terminal M6 : 2 N.m  
terminal M12 : 25 N.m.

### RC36E

